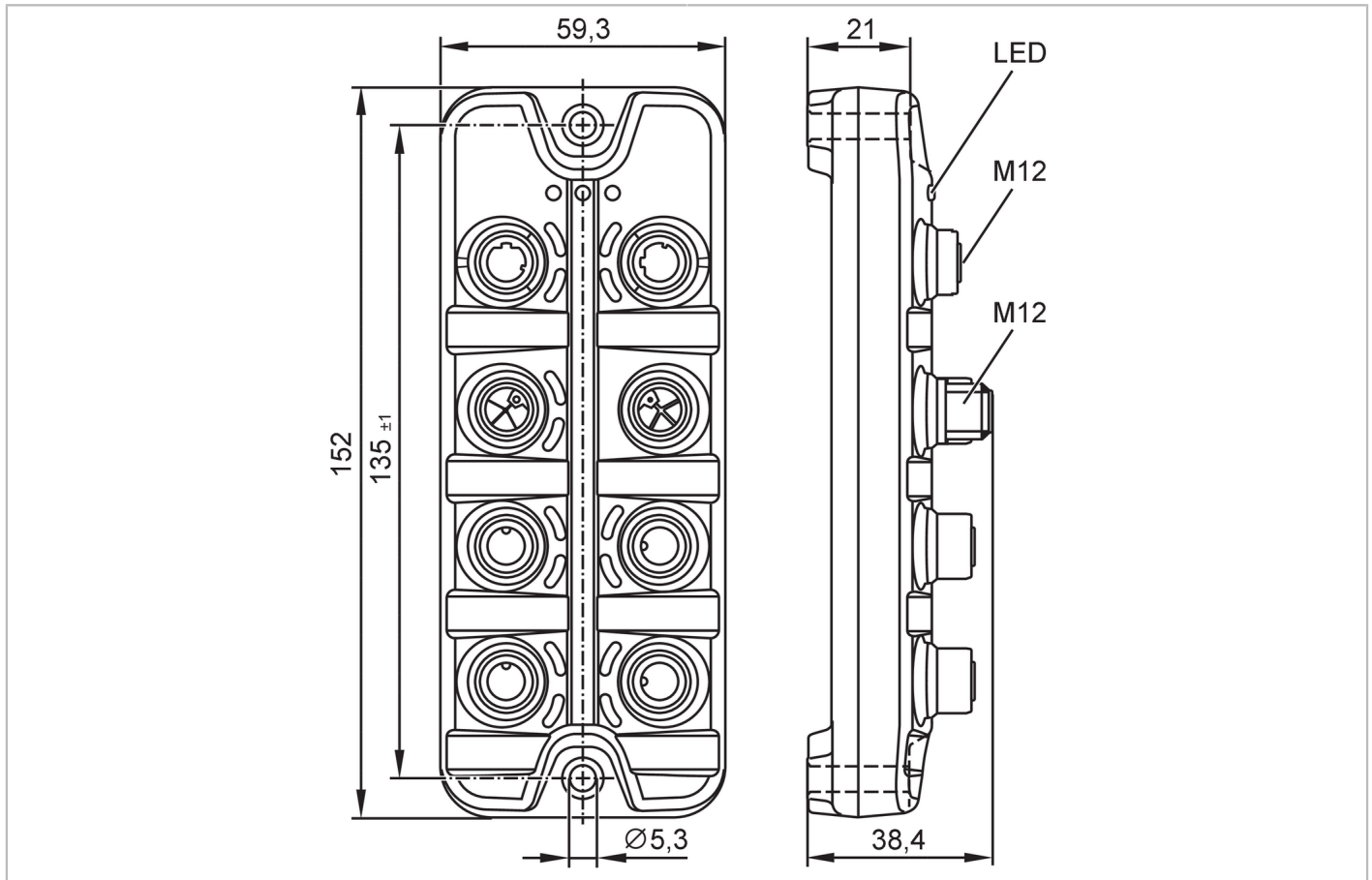


AL1420



IO-Link master with EtherNet/IP interface

IO-Link Master PFL EIP 4P IP67



Application	
Application	I/O modules for field applications
Daisy-chain function	voltage supply; fieldbus interface
Electrical data	
Operating voltage [V]	20...30 DC; (US ; to PELV)
Current consumption [mA]	300...3900; (US)
Protection class	III
Additional voltage supply [V]	20...30 DC; (UA)
Actuator supply UA	
Max. current load total [A]	8
Current rating per port [A]	2; (adjustable: 0...2; Factory setting: 2)
Sensor supply US	
Max. current load total [A]	3.6
Current rating per port [A]	2; (adjustable: 0...2; Factory setting: 0,45)
Inputs / outputs	
Total number of inputs and outputs	8; (configurable)
Number of inputs and outputs	Number of digital inputs: 4; Number of digital outputs: 8



IO-Link master with EtherNet/IP interface

IO-Link Master PFL EIP 4P IP67

Inputs	
Number of digital inputs	4; (IO-Link Port Class B: 4 x 1)
Switching level high [V]	11...30
Switching level low [V]	0...5
Digital inputs protected against short circuits	yes
Outputs	
Number of digital outputs	8; (IO-Link Port Class B: 4 x 2)
Short-circuit proof	yes
Actuator supply UA	
Max. current load per output [mA]	2000
Sensor supply US	
Max. current load per output [mA]	2000
Interfaces	
Communication interface	Ethernet; IO-Link
Ethernet - EtherNet/IP	
Transmission standard	10Base-T; 100Base-TX
Transmission rate	10 MBit/s; 100 MBit/s
Protocol	EtherNet/IP
Factory settings	IP address: 192.168.1.250 subnet mask: 255.255.255.0 gateway IP address: 0.0.0.0 MAC address: see type label
Note on interfaces	DHCP, BOOTP, static DLR (Device Level Ring) Supported network topologies: line ring
IO-Link Master	
Transmission type	COM1 (4,8 kBaud); COM2 (38,4 kBaud); COM3 (230,4 kBaud)
IO-Link revision	1.1
Number of ports class B	4
Operating conditions	
Ambient temperature [°C]	-25...60
Storage temperature [°C]	-25...85
Max. relative air humidity [%]	90
Protection	IP 65; IP 66; IP 67
Protection rating (NEMA 250)	6P
Degree of soiling	2
Chemical media	ISO 16750-5 NEMA 250 5.13.1
	AA, BA, BD, HLP, CC, DB, DC, DD, CA AA
Tests / approvals	
EMC	EN 61000-6-2 EN 61000-6-4
Shock resistance	DIN EN 60068-2-27

AL1420



IO-Link master with EtherNet/IP interface

IO-Link Master PFL EIP 4P IP67

Vibration resistance	DIN EN 60068-2-64 2009-04	
	DIN EN 60068-2-6 2008-10	
MTTF [years]		60

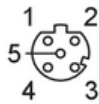
Mechanical data		
Weight [g]		307.9
Housing		rectangular
Type of mounting		Backplane mounting
Dimensions [mm]		152 x 59.3 x 38.4
Material		housing: PA orange; Socket: brass nickel-plated
Sealing material		FKM

Remarks	
Remarks	Further information is available in the manual.
Pack quantity	1 pcs.

Electrical connection

Electrical connection - Ethernet

Connector: 2 x M12; coding: D; Contacts: 4; sealing: FKM

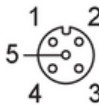


IN / OUT XF1, XF2

1	TX +
2	RX +
3	TX -
4	RX -
5	not used

Electrical connection - IO-Link

Connector: 4 x M12; coding: A; Contacts: 5; sealing: FKM



IO-Link Port Class B X1...X4

1	Sensor supply (US) L +
2	Actuator supply / Digital output (UA) L+
3	Sensor supply (US) L-
4	C/Q IO-Link
5	Actuator supply (UA) L-

Electrical connection - voltage supply IN

Connector: 1 x M12; coding: L; Contacts: 5



AL1420



IO-Link master with EtherNet/IP interface

IO-Link Master PFL EIP 4P IP67

XD1

1	+ 24 V DC (US) brown
2	GND (UA) white
3	GND (US) blue
4	+ 24 V DC (UA) black
5	FE grey

Electrical connection - voltage supply OUT

Connector: 1 x M12; coding: L; Contacts: 5; sealing: FKM



XD2

1	+ 24 V DC (US) brown
2	GND (UA) white
3	GND (US) blue
4	+ 24 V DC (UA) black
5	FE grey