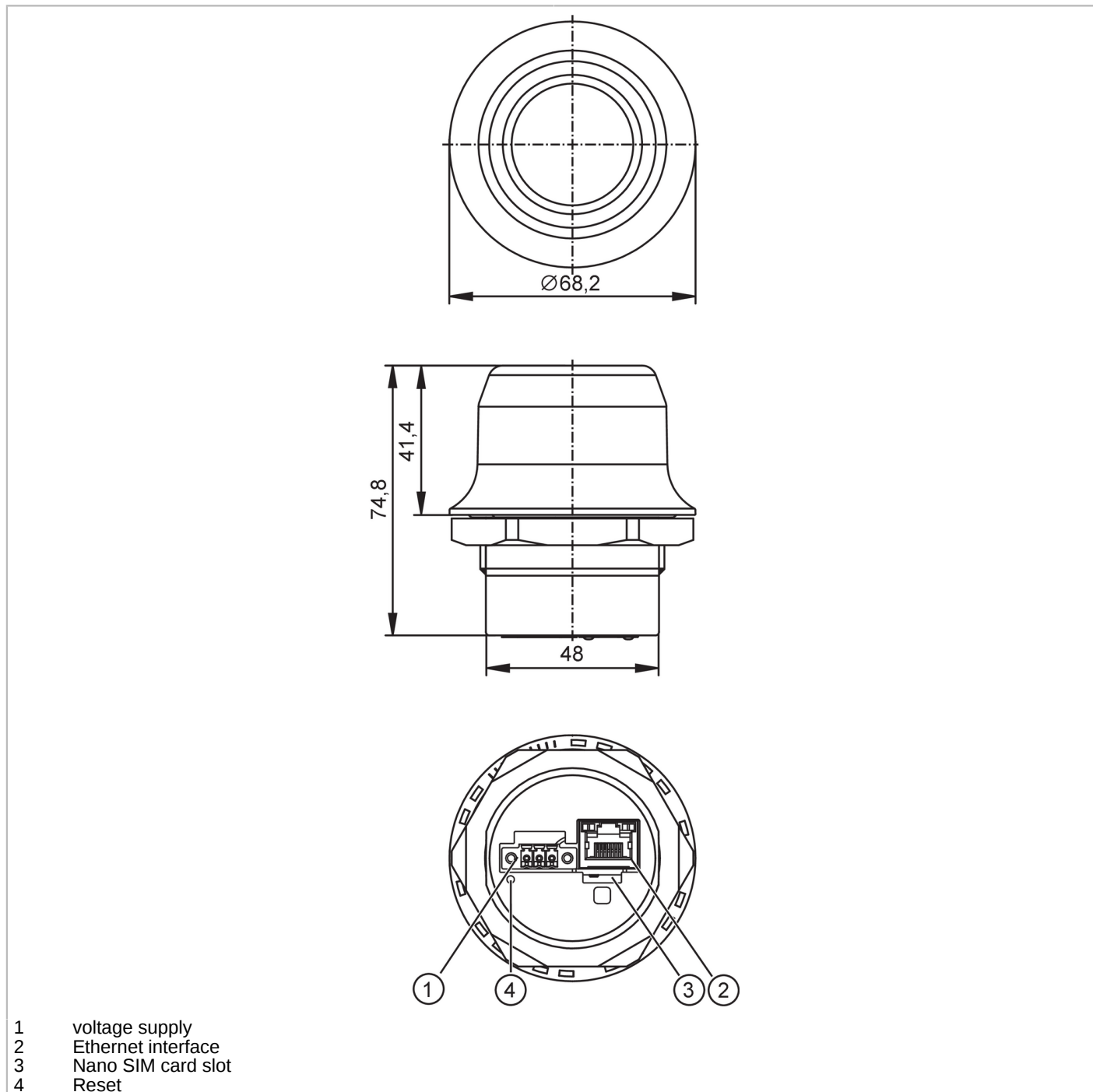


AE9001



Industrial 4G LTE router US

Industrial LTE 4G Router US



Application	
Application	industrial LTE router US
Operating temperature (active) [°C]	-40...65
Radio approval for	Canada; USA
Electrical data	
Operating voltage [V]	11...33 DC
Current consumption [mA]	< 1200

AE9001



Industrial 4G LTE router US

Industrial LTE 4G Router US

Protection class	III	
Reverse polarity protection	yes	
Interfaces		
Communication interface	GNSS; Mobile networks; Ethernet	
Note on interfaces	PoE compatible	
GNSS		
Frequency band	GPS; GLONASS; Galileo; Beidou	
Mobile networks LTE		
Transmission standard	LTE Cat-4	
Frequency band	B2, B4, B5, B12, B13, B14, B25, B26, B66	
Ethernet		
Transmission rate	10 MBit/s; 100 MBit/s	
Protocol	TCP/IP; UDP/IP	
Operating conditions		
Storage temperature [°C]	-40...65	
Protection	IP66, IP67: Upper part; IP21: Connections	
Degree of soiling	2	
Tests / approvals		
EMC	EN 301489-1	
	EN 61000-4-2	
	EN 61000-4-3	
	EN 61000-4-4	
	EN 61000-4-5	
	EN 61000-4-6	
	EN 55032	
Vibration resistance	IEC 60068-2-6	
Damp heat	EN 60068-2-78	
Radio approval	EN 301908-1 EN 303413	
UL approval	File number UL	E214107
Standard		EN 62368-1
Mechanical data		
Weight [g]	193.3	
Type of mounting	screw mounting; (M50)	
Dimensions [mm]	Ø 68 / L = 75	
Material	housing; Upper part: PBT / PC; housing; lower part: PBT	
Remarks		
Remarks	dual antenna with MIMO support firewall, NAT and DHCP server integrated	
Pack quantity	1 pcs.	

AE9001

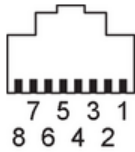


Industrial 4G LTE router US

Industrial LTE 4G Router US

Electrical connection - Ethernet

Connector: 1 x RJ45



1	TX+ PoE A+
2	TX- PoE A+
3	RX+ PoE A-
4	n.c. PoE B+
5	n.c. PoE B+
6	RX- PoE A-
7	n.c. PoE B-
8	n.c. PoE B-
Shield	FE (screen (connected to the housing))

Electrical connection - voltage supply

Connector: 1 x terminal



1	L+
2	L-
3	FE