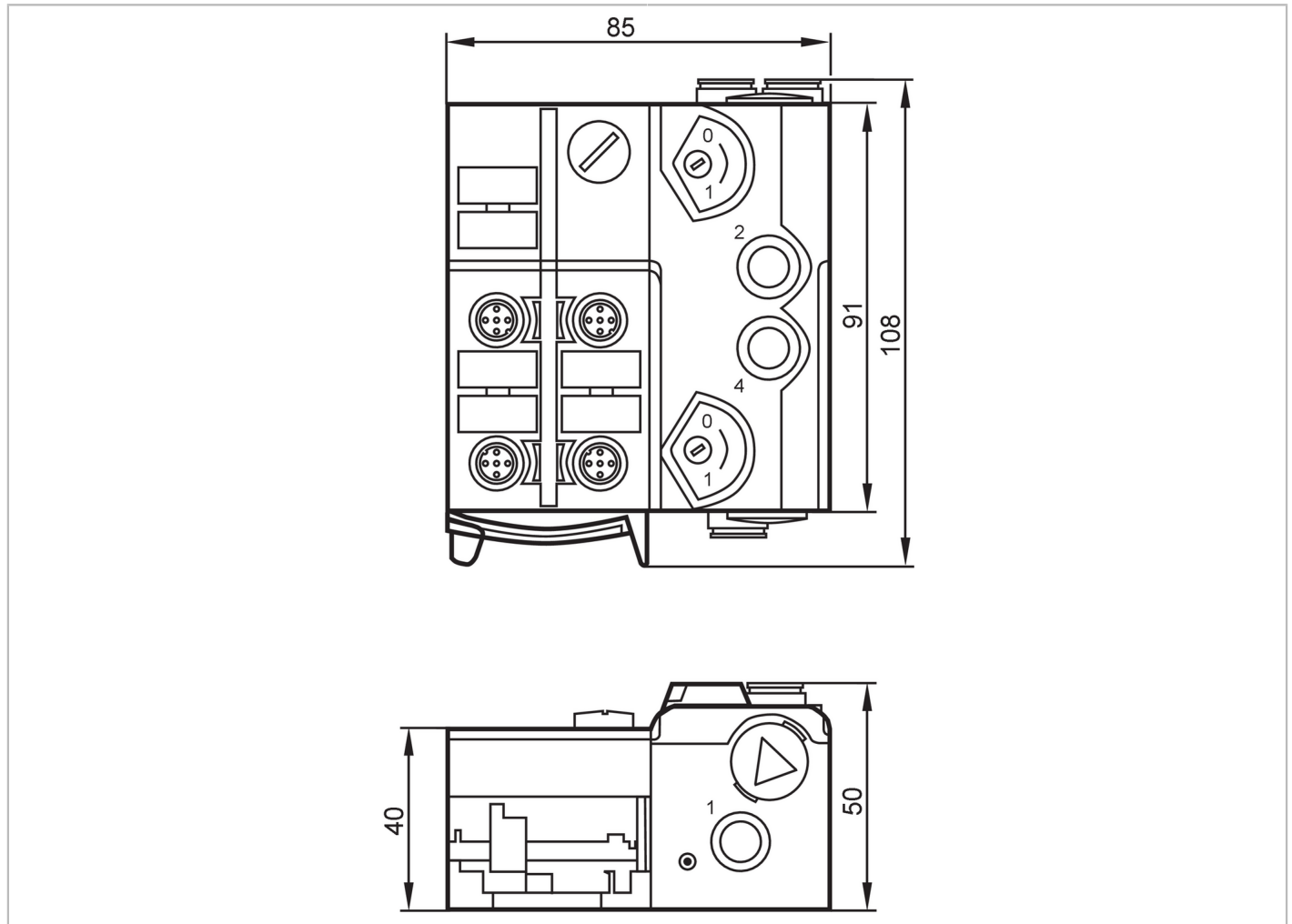


# AC5243



## AS-Interface Airbox with quick mounting technology

AirBox 2x3/2 4DI-Y IP67 AUX



Application	
Design	housing for DIN rail mounting
Application	field installation
Medium temperature	[-10...50 °C]
Electrical data	
Operating voltage	[V] 26.5...31.6 DC
Max. current consumption from AS-i	[mA] 280
Additional voltage supply	[V] 18...30 DC; (to PELV)
Additional voltage supply	required
Max. current consumption from additional supply	[mA] 10
Integrated watchdog	yes
Inputs / outputs	
Number of inputs and outputs	Number of digital inputs: 4; Number of pneumatic outputs: 2
Inputs	
Number of digital inputs	4

# AC5243



## AS-Interface Airbox with quick mounting technology

AirBox 2x3/2 4DI-Y IP67 AUX

Input circuit of digital inputs	PNP
Sensor supply of the inputs	AS-i
Voltage supply [V]	20...30; (via flat cable)
Max. total current rating of inputs [mA]	200
Input current High [mA]	6...10
Input current Low [mA]	0...2
Switching level high [V]	> 11
Digital inputs protected against short circuits	yes

### Outputs

Number of pneumatic outputs	2; (supply: external 24 V power supply)
Actuator supply outputs	AUX

### Operating conditions

Ambient temperature [°C]	-10...55
Protection	IP 65; IP 67

### Tests / approvals

EMC	EN 50295	
	IEC 61000-6-2	
MTTF [years]	237	

### AS-i classification

AS-i version	2.11; 3.0				
AS-i addressing	addressing socket				
Extended addressing mode	yes				
AS-i master profile	M2; M3; M4				
AS-i profile	S-7.A.E				
AS-i I/O configuration [hex]	7				
AS-i ID code [hex]	A.E				
Assignment of the data bits	data bit	D0	D1	D2	D3
	input	1	2	3	4
	socket	I-1/2	I-1/2 I-2	I-3/4	I-3/4 I-4
	pin	4	2 4	4	2 4
	pneumatic output	2	4	-	-

### Mechanical data

Weight [g]	381.5		
Housing	rectangular		
Type of mounting	quick mounting; AS-i flat cables directly connectable; mounting on DIN rail; (TH35 (EN 60715))		
Dimensions [mm]	108 x 85 x 50		
Materials	PA; POM; piercing contacts: CuSn6 nickel-plated and tin-plated		
Pneumatic system	2 x 3/2-way slide valves (free from overlapping)		
Operating pressure range	2...8 bar	0.2...0.8 MPa	29...116 psi
Air flow at 6/5 bar [l/min]	500		
Permissible compressed air	non-lubricated compressed air class 6-3-1; lubricated compressed air class 6-3-4		
Manual override	pressing/releasing or pressing/turning/locking		

# AC5243



## AS-Interface Airbox with quick mounting technology

AirBox 2x3/2 4DI-Y IP67 AUX

Tube fittings	8 mm	
Exhaust	exhaust can be discharged through tube connection	
<b>Displays / operating elements</b>		
Display	operation	LED, green
	errors	LED, red
	function	LED, yellow
<b>Electrical connection</b>		
Module connection	Flat cables	
<b>Accessories</b>		
Items supplied	lower part	
Accessories (optional)	Mounting plate:, E74999	
	Module lower part:, E75000	
	Protective cap: M12, E73004	
	sealing plugs:, E75231	
	silencer:, E75232	
	Push-in L-fitting:, E75228	
Push-in T-fitting:, E75227		
<b>Remarks</b>		
Remarks	If not pneumatically operated, E75231 sealing plug must be inserted.	
	Avoid ingress of dirt and dust.	
	Do not connect any of the following points to an external potential:	
	L-, L+, I-1, I-2, I-3, I-4	
	The connections are electrically connected with the AS-i cable.	
	Please see the notes on compressed air and EMC/ESD under "Downloads"	
Pack quantity	1 pcs.	

# AC5243



## AS-Interface Airbox with quick mounting technology

AirBox 2x3/2 4DI-Y IP67 AUX

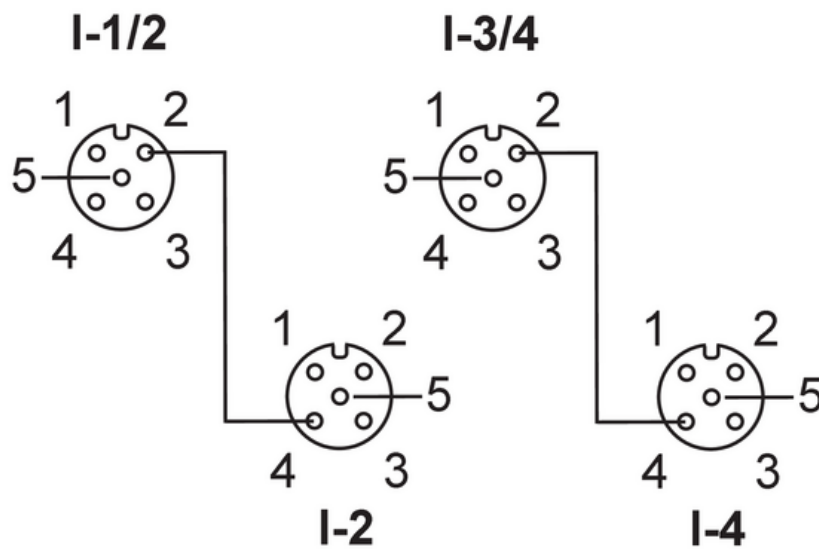
### Electrical connection

quick mounting technology for AS-i flat cable: ; three orientations possible

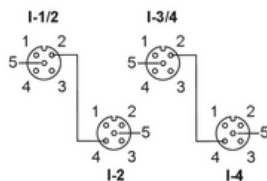
### Connection

AN\_i\_1360\_GG

Original Scale Drawing (MTD)



EPS Source  
Product Scale Drawing  
Frame Size: 75 mm x 45 mm





## AS-Interface Airbox with quick mounting technology

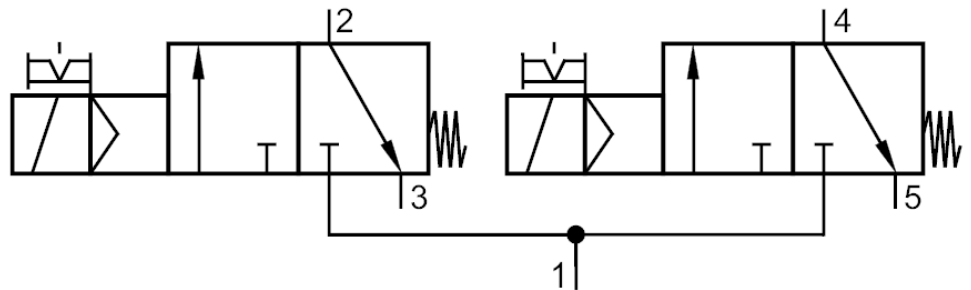
AirBox 2x3/2 4DI-Y IP67 AUX

Connector: M12

	Inputs
	socket I-1/2
1	Sensor supply L+
2	data input 2
3	Sensor supply L-
4	data input 1
5	not used
	socket I-2
1	Sensor supply L+
2	not used
3	Sensor supply L-
4	data input 2
5	not used
	socket I-3/4
1	voltage supply L+
2	data input 4
3	Sensor supply L-
4	data input 3
5	not used
	socket I-4
1	Sensor supply L+
2	not used
3	Sensor supply L-
4	data input 4
5	not used

### Diagrams and graphs

Pneumatic symbol



2 x 3/2-way slide valves (free from overlapping)