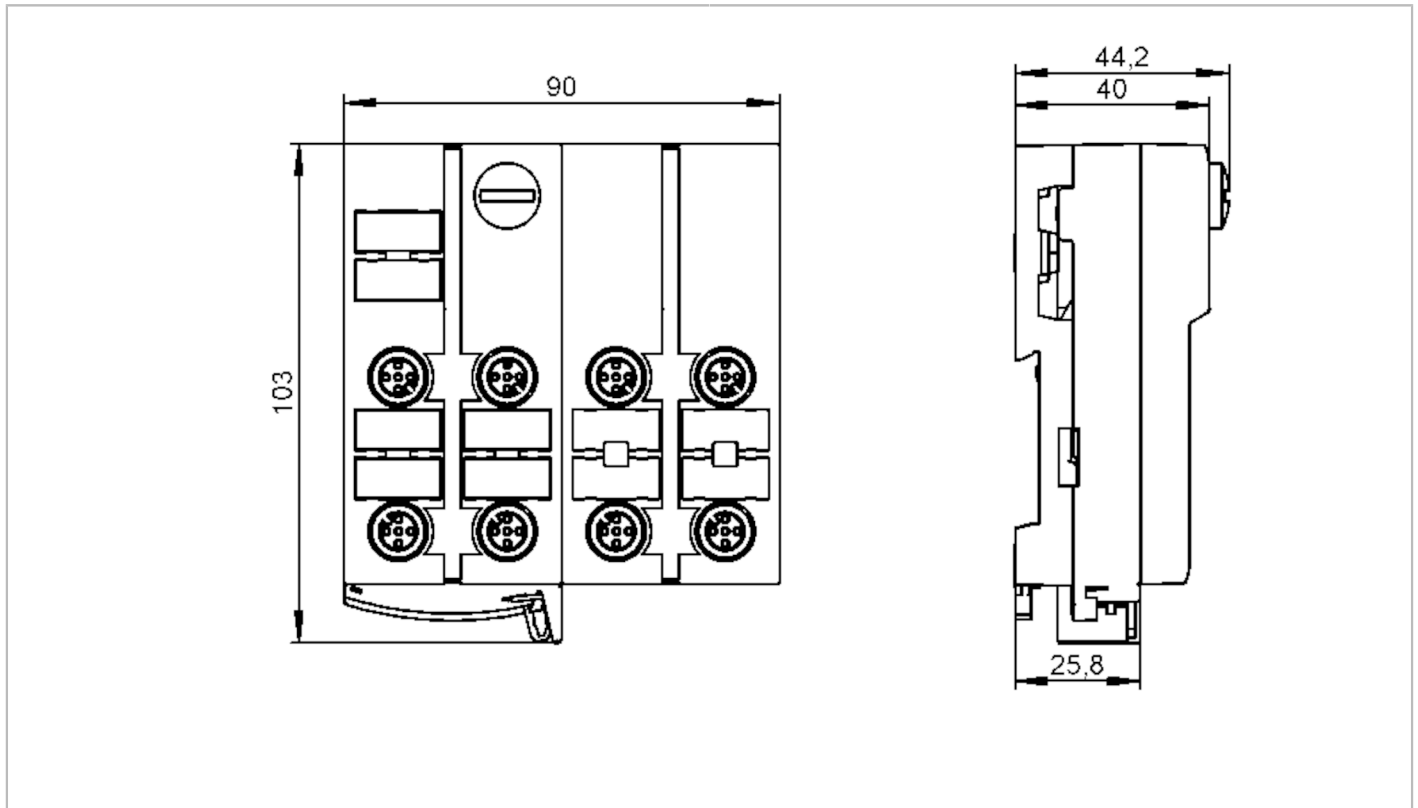


AC5235



AS-Interface ClassicLine module with quick mounting technology

ClassicLine 4DI-Y 4DO-Y IP67



Application	
Design	housing for DIN rail mounting, Only for operation with AS-i masters with the profile M4
Application	field installation
Electrical data	
Operating voltage [V]	26.5...31.6 DC; (cULus - Class 2 source required)
Max. current consumption from AS-i [mA]	250
Additional voltage supply [V]	15...30 DC; (AUX)
Max. current consumption from additional supply [mA]	4000
Integrated watchdog	yes
Inputs / outputs	
Number of inputs and outputs	Number of digital inputs: 4; Number of digital outputs: 4
Inputs	
Number of digital inputs	4
Input circuit of digital inputs	PNP
Sensor supply of the inputs	AS-i
Voltage supply [V]	18...30; (via flat cable)
Max. total current rating of inputs [mA]	200
Input current High [mA]	6...10
Input current low [mA]	0...2
Switching level high [V]	> 11



AS-Interface ClassicLine module with quick mounting technology

ClassicLine 4DI-Y 4DO-Y IP67

Digital inputs protected against short circuits	yes				
Outputs					
Number of digital outputs	4				
Circuit	PNP				
Voltage range DC [V]	15...30; (to PELV; via flat cable)				
Max. current load per output [mA]	1000; (utilization category DC-13 (control of electromagnets): 20 W (IEC 60947-5-1))				
Max. current load outputs total [A]	4				
Short-circuit proof	yes				
Electrically separated	yes				
Actuator supply outputs	AUX				
Operating conditions					
Ambient temperature [°C]	-25...70				
Protection	IP 67				
Tests / approvals					
EMC	EN 50295				
	IEC 61000-6-2				
MTTF [years]	155				
AS-i classification					
AS-i version	3.0				
AS-i addressing	Addressing socket				
Extended addressing mode	yes				
AS-i master profile	M4				
AS-i profile	S-7.A.7				
AS-i I/O configuration [hex]	7				
AS-i ID code [hex]	A.7				
Data bits	Data bit	D0	D1	D2	D3
	Input	1	2	3	4
	Socket	I-1/2	I-1/2 I-2	I-3/4	I-3/4 I-4
	Pin	4	2 4	4	2 4
	Output	1	2	3	4
	Socket	O-1/2	O-1/2 O2	O-3/4	O-3/4 O-4
	Pin	4	2 4	4	2 4
Mechanical data					
Weight [g]	273.8				
Housing	rectangular				
Type of mounting	quick mounting; AS-i flat cable connection; Mounting on DIN rail; (TH35 (EN 60715))				
Dimensions [mm]	103 x 90 x 44.2				
Material	PA; Piercing contacts: CuSn6 nickel-plated and tin-plated				
Displays / operating elements					
Display	Power	LED, green			
	errors	LED, red			
	Function	LED, yellow			

AC5235



AS-Interface ClassicLine module with quick mounting technology

ClassicLine 4DI-Y 4DO-Y IP67

Electrical connection	
Module connection	Flat cable
Accessories	
Items supplied	lower part
Accessories (optional)	Protective cap: M12, E73004
Remarks	
Remarks	Inputs and outputs must be electrically isolated. Do not connect any of the following points to an external potential: I-, I+, I1, I2, I3, I4 The connections are electrically connected with the AS-i cable.
Pack quantity	1 pcs.

AC5235



AS-Interface ClassicLine module with quick mounting technology

ClassicLine 4DI-Y 4DO-Y IP67

Electrical connection

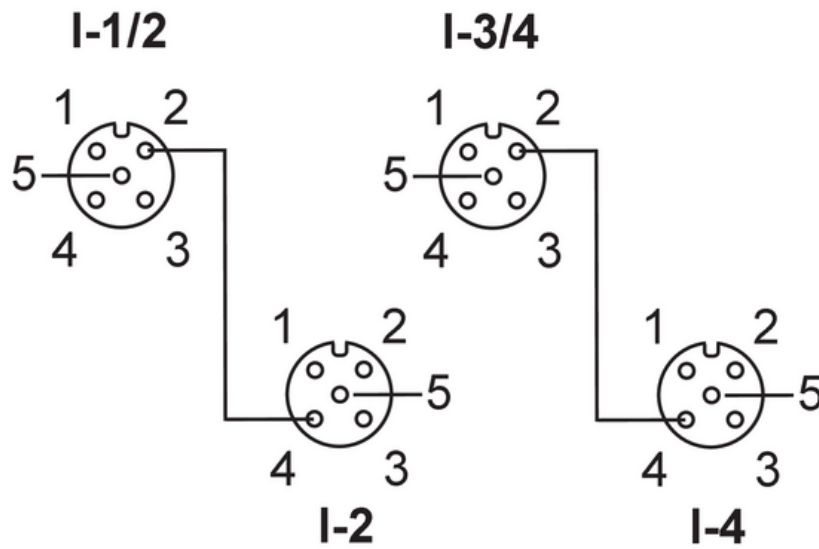
quick mounting technology for AS-i flat cable: ; three selectable directions

Electrical connection - Inputs

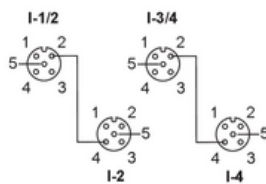
Connection

AN_i_1360_GG

Original Scale Drawing (MTD)



EPS Source
Product Scale Drawing
Frame Size: 75 mm x 45 mm



AC5235



AS-Interface ClassicLine module with quick mounting technology

ClassicLine 4DI-Y 4DO-Y IP67

Connector: M12

Inputs	
	Socket I-1/2
1	Sensor supply L+
2	Data input 2
3	Sensor supply L-
4	Data input 1
5	not used
	Socket I-2
1	Sensor supply L+
2	not used
3	Sensor supply L-
4	Data input 2
5	not used
	Socket I-3/4
1	voltage supply L+
2	Data input 4
3	Sensor supply L-
4	Data input 3
5	not used
	Socket I-4
1	Sensor supply L+
2	not used
3	Sensor supply L-
4	Data input 4
5	not used



AS-Interface ClassicLine module with quick mounting technology

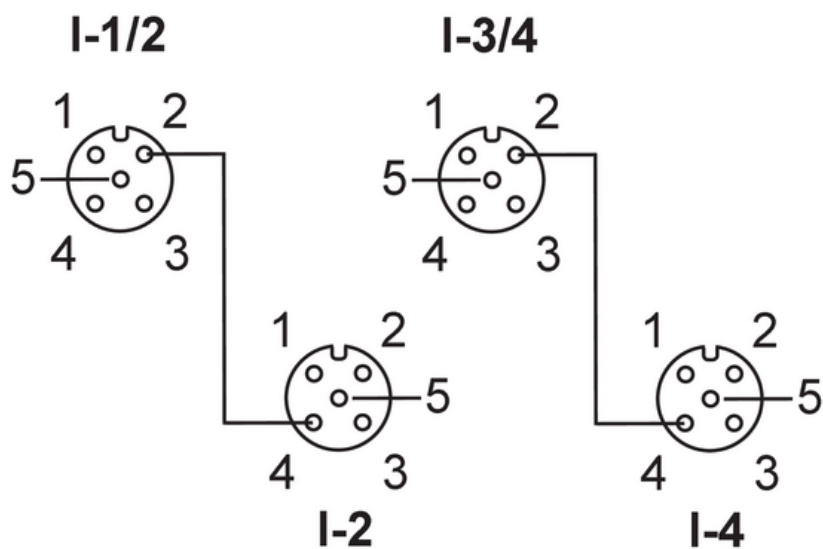
ClassicLine 4DI-Y 4DO-Y IP67

Electrical connection - Outputs

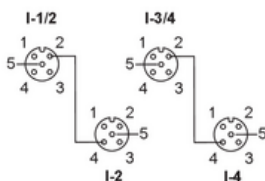
Connection

AN_i_1360_GG

Original Scale Drawing (MTD)



EPS Source
Product Scale Drawing
Frame Size: 75 mm x 45 mm



AC5235



AS-Interface ClassicLine module with quick mounting technology

ClassicLine 4DI-Y 4DO-Y IP67

Connector: M12

Outputs	
	Socket O-1/2
1	not used
2	Switching output 2
3	External voltage AUX -
4	Switching output 1
5	not used
	Socket O-2
1	not used
2	not used
3	External voltage AUX -
4	Switching output 2
5	not used
	Socket O-3/4
1	not used
2	Switching output 4
3	External voltage AUX -
4	Switching output 3
5	not used
	Socket O-4
1	not used
2	not used
3	External voltage AUX -
4	Switching output 4
5	not used