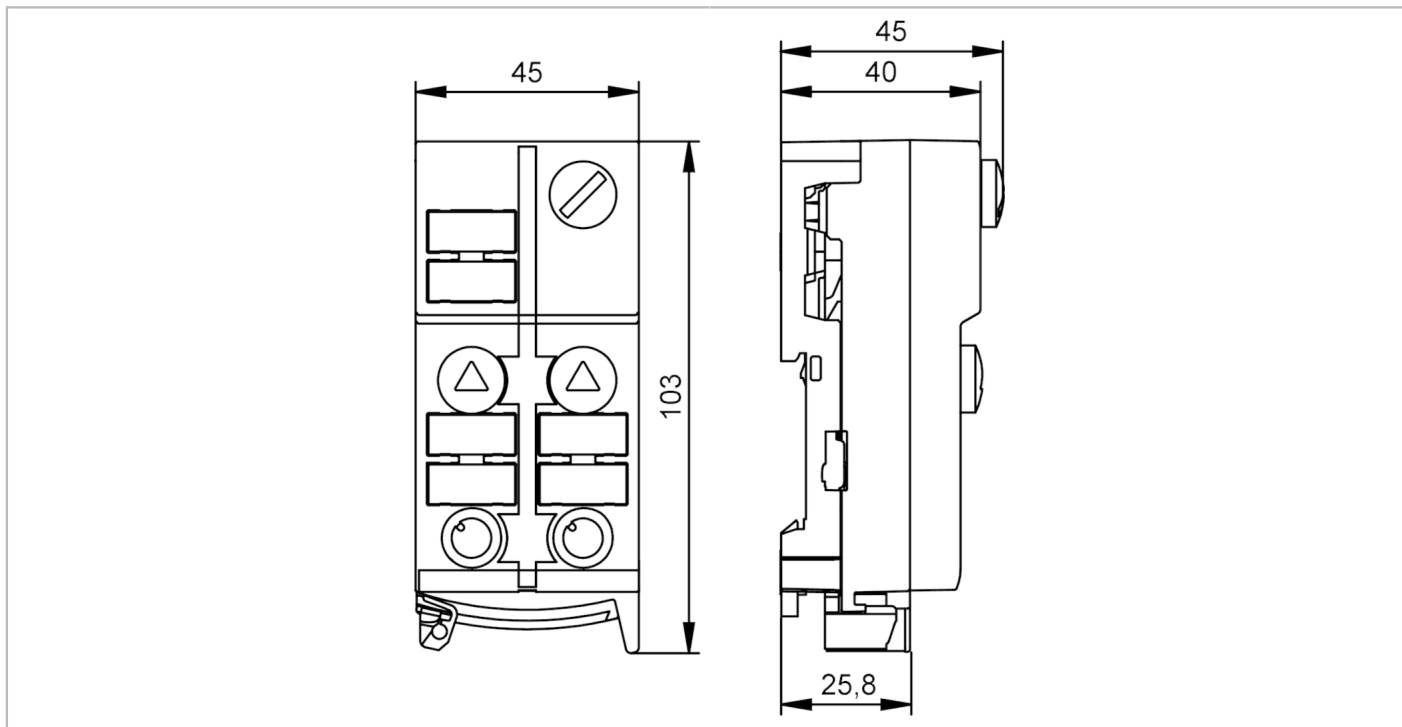


AC5205



AS-Interface ClassicLine module with quick mounting technology

ClassicLine 4DI IP67



Application	
Design	housing for DIN rail mounting
Application	field installation
Electrical data	
Operating voltage [V]	26.5...31.6 DC; (cULus - Class 2 source required)
Max. current consumption from AS-i [mA]	250
Inputs / outputs	
Number of inputs and outputs	Number of digital inputs: 4
Inputs	
Number of digital inputs	4
Input circuit of digital inputs	PNP
Sensor supply of the inputs	AS-i
Voltage supply [V]	18...30; (via flat cable)
Max. total current rating of inputs [mA]	200
Input current High [mA]	6...10
Input current low [mA]	0...2
Switching level high [V]	> 11
Digital inputs protected against short circuits	yes
Operating conditions	
Ambient temperature [°C]	-25...70
Protection	IP 67



AS-Interface ClassicLine module with quick mounting technology

ClassicLine 4DI IP67

Tests / approvals					
EMC	EN 50295				
	IEC 61000-6-2				
MTTF	[years]	404			
AS-i classification					
AS-i version	2.11; 3.0				
AS-i addressing	Addressing socket				
Extended addressing mode	no				
AS-i master profile	M2; M3; M4				
AS-i profile	S-0.0.E				
AS-i I/O configuration	[hex]	0			
AS-i ID code	[hex]	0.E			
Data bits	Data bit	D0	D1	D2	D3
	Input	1	2	3	4
	Socket	I-1	I-2	I-3	I-4
	Pin	2+4	2+4	2+4	2+4
Mechanical data					
Weight	[g]	155.1			
Housing	rectangular				
Type of mounting	AS-i flat cable connection; Mounting on DIN rail; (TH35 (EN 60715))				
Dimensions	[mm]	103 x 45 x 44.7			
Material	PA; Piercing contacts: CuSn6 nickel-plated and tin-plated				
Displays / operating elements					
Display	Power	LED, green			
	errors	LED, red			
	Function	LED, yellow			
Electrical connection					
Module connection	Flat cable				
Accessories					
Items supplied	lower part				
Accessories (optional)	Addressing cable:, E70213				
	Protective cap: M12, E73004				
Remarks					
Remarks	Only use addressing cable E70213.				
	Do not use addressing cables from other manufacturers.				
	Short circuits or irreparable deformation of the addressing socket cannot be excluded.				
	Do not connect any of the following points to an external potential:				
	I-, I+, I1, I2, I3, I4				
	The connections are electrically connected with the AS-i cable.				
Pack quantity	1 pcs.				

AC5205



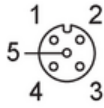
AS-Interface ClassicLine module with quick mounting technology

ClassicLine 4DI IP67

Electrical connection

quick mounting technology for AS-i flat cable: ; three selectable directions

Connector: M12; coding: A



	Inputs
1	Sensor supply L+
2+4	Data input internally bridged
3	Sensor supply L-
5	not used