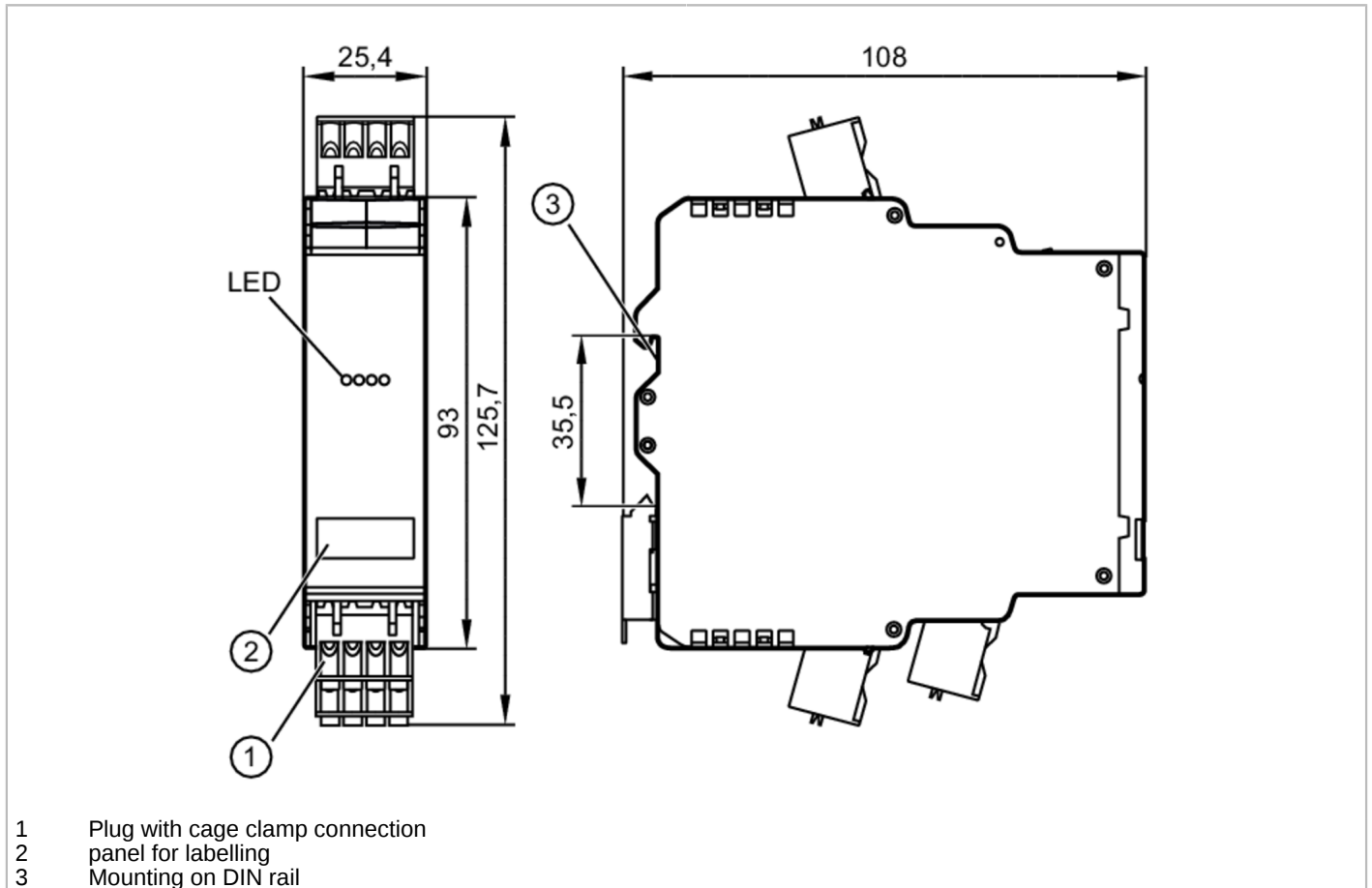


# AC3226



## AS-Interface repeater

SmartL25 AS-i Repeater III



Application	
Design	housing for DIN rail mounting
Application	Extension of the AS-i network by another 100 m
Electrical data	
Operating voltage [V]	26.5...31.6 DC
Max. current consumption from AS-i [mA]	60; (per AS-i line)
Outputs	
Electrical design	AS-i
Electrically separated	yes
Operating conditions	
Ambient temperature [°C]	-25...70
Note on ambient temperature	cULus: ... 65 °C
Storage temperature [°C]	-25...75
Max. relative air humidity [%]	90; (non condensing)
Max. height above sea level [m]	2000
Protection	IP 20
Degree of soiling	2

# AC3226



## AS-Interface repeater

SmartL25 AS-i Repeater III

Tests / approvals		
EMC	EN 62026-2	
UL approval	Ta	-25...70 °C
	Enclosure type	IP20
	voltage supply	Low Voltage / Limited Energy
	File number UL	E205959
Mechanical data		
Weight	[g]	170
Housing		rectangular
Type of mounting		Mounting on DIN rail; (TH35 (EN 60715))
Dimensions	[mm]	125.7 x 25.4 x 108
Material		PA 6.6
Displays / operating elements		
Display	Power	2 x LED, green
	Function	LED, yellow
Accessories		
Items supplied		Combicon connector
		Link for bus termination
Remarks		
Pack quantity		1 pcs.

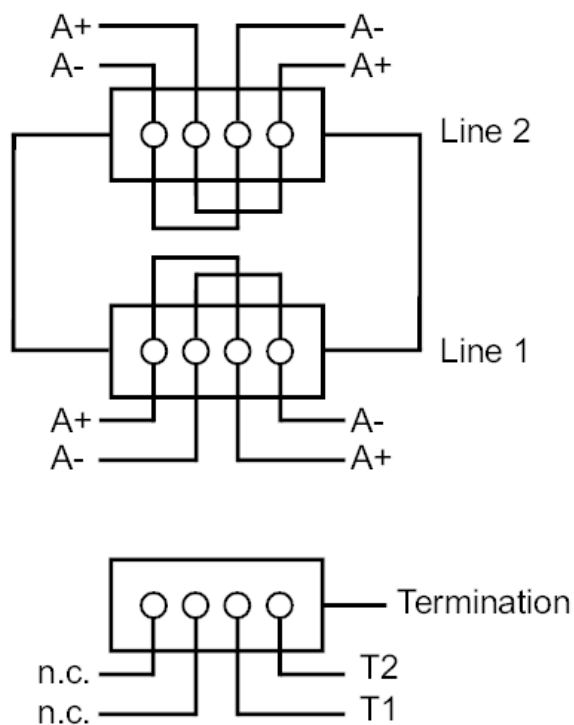


## AS-Interface repeater

SmartL25 AS-i Repeater III

### Electrical connection

#### Connection



	outgoing AS-i cable
A2-	AS-i - line 2
A2+	AS-i + line 2
A2-	AS-i - line 2
A2+	AS-i + line 2
	incoming AS-i cable
A1+	AS-i + line 1
A1-	AS-i - line 1
A1+	AS-i + line 1
A1-	AS-i - line 1
T1	Link for bus termination
T2	Link for bus termination