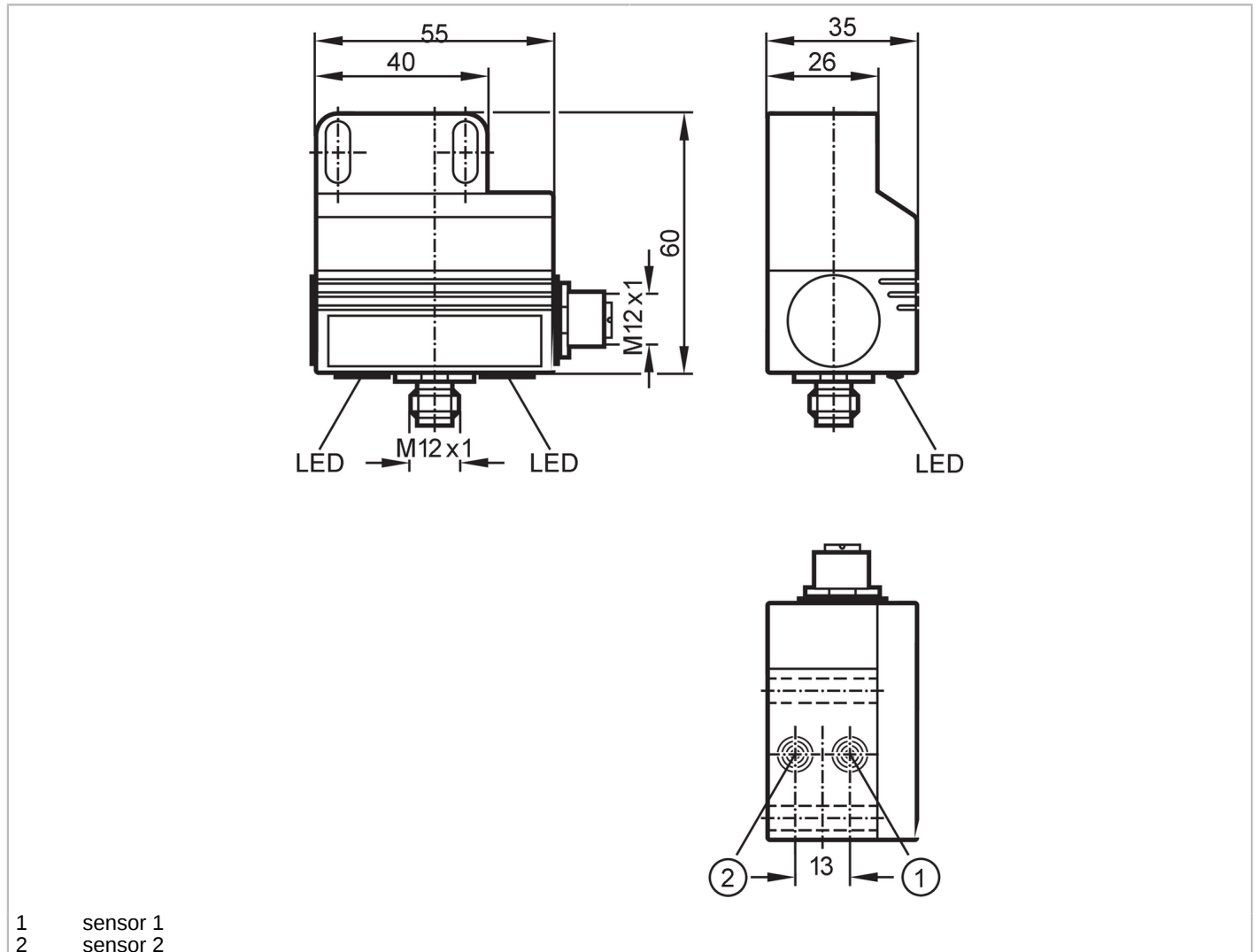


# AC2310



## AS-Interface dual sensor for pneumatic quarter-turn actuators

DUAL SENSOR T5 2SI 1DO T M12



- 1 sensor 1
- 2 sensor 2



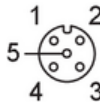
Product characteristics	
Electrical design	AS-i
Sensing range [mm]	4
Housing	rectangular
Dimensions [mm]	55 x 60 x 35
Application	
Application	Position sensor for valve actuators; actuator control
Electrical data	
Operating voltage [V]	26.5...31.6 DC; (cULus - Class 2 source required)
Current consumption [mA]	< 160
Outputs	
Electrical design	AS-i
Permanent current rating of switching output DC [mA]	100
Short-circuit proof	yes

# AC2310



## AS-Interface dual sensor for pneumatic quarter-turn actuators

DUAL SENSOR T5 2SI 1DO T M12

Monitoring range		
Sensing range	[mm]	4
Operating conditions		
Ambient temperature	[°C]	-20...70
Protection		IP 67
Tests / approvals		
EMC	EN 50295	
	EN 61000-6-2	
MTTF	[years]	394
AS-i classification		
AS-i version		2.1
Extended addressing mode		no
AS-i I/O configuration	[hex]	7
AS-i ID code	[hex]	F.F
AS-i certificate		75003
Mechanical data		
Weight	[g]	179.5
Housing		rectangular
Mounting		non-flush mountable
Dimensions	[mm]	55 x 60 x 35
Material		PBT; PC
Displays / operating elements		
Display	Power	1 x LED, green
	Function	1 x LED, yellow
	error	LED, red
Accessories		
Items supplied		reinforcement bracket: 1 x (39,5 x 17,5 x 1 mm), E11310
		socket head screws: 2 x (M5 x 35 mm)
		washers: 2
Remarks		
Pack quantity		1 pcs.
Electrical connection		
Electrical connection - Socket		
Connector: 1 x M12; coding: A; Moulded body: stainless steel (1.4305 / 303)		
		
Outputs		
3	External voltage -	
4	Switching output 1 +	

# AC2310



## AS-Interface dual sensor for pneumatic quarter-turn actuators

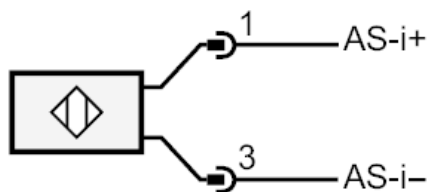
DUAL SENSOR T5 2SI 1DO T M12

### Electrical connection - plug

Connector: 1 x M12; coding: A; Moulded body: stainless steel (1.4305 / 303)



### Connection



### Electrical connection

1	AS-i +
3	AS-i -