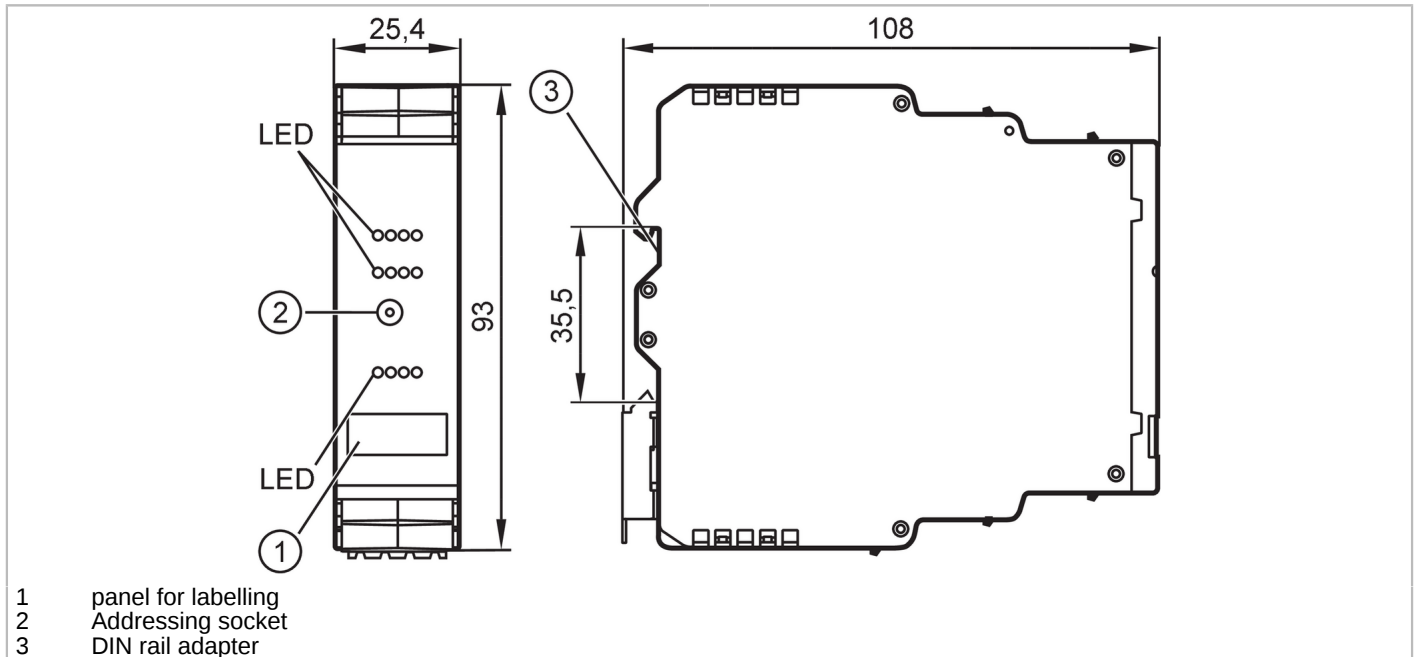


AC2251



AS-Interface control cabinet module

SmartL25 4DI 4DO T C



Application	
Design	housing for DIN rail mounting
Application	I/O modules for control cabinet installations
Electrical data	
Operating voltage [V]	26.5...31.6 DC
Max. current consumption from AS-i [mA]	250
Additional voltage supply [V]	20...30 DC; (AUX)
Max. current consumption from additional supply [mA]	4000; (AUX)
Integrated watchdog	yes
Inputs / outputs	
Number of inputs and outputs	Number of digital inputs: 4; Number of digital outputs: 4
Inputs	
Number of digital inputs	4
Input circuit of digital inputs	PNP; (type 2 according to IEC 61131-2)
Sensor supply of the inputs	AS-i
Voltage supply [V]	18...30; (DC)
Max. total current rating of inputs [mA]	200
Input current High [mA]	6...10
Input current low [mA]	0...2
Switching level high [V]	> 11
Digital inputs protected against short circuits	yes



AS-Interface control cabinet module

SmartL25 4DI 4DO T C

Outputs																
Number of digital outputs	4															
Circuit	PNP															
Voltage range DC [V]	20...30; (AUX)															
Max. current load per output [mA]	1000; (utilization category DC-12: 700 mA; utilization category DC-13 (control of electromagnets): 20 W (IEC 60947-5-1))															
Max. current load outputs total [A]	4															
Short-circuit proof	yes															
Electrically separated	yes															
Actuator supply outputs	AUX															
Operating conditions																
Ambient temperature [°C]	-25...70															
Note on ambient temperature	the derating of the current load indicated in the operating instructions is to be taken into account at the following ambient temperature: > 60 °C															
Max. relative air humidity [%]	90; (non condensing)															
Max. height above sea level [m]	2000															
Protection	IP 20															
Degree of soiling	2															
Tests / approvals																
EMC	EN 61000-6-2 EN 62026-2 EN 50581															
MTTF [years]	184															
Notes	The device shall be supplied from an isolating source.; This voltage source must have a secondary UL-listed fuse (see enclosed sheet).; Alternatively, a class 2 power supply can be used to supply AUX.															
AS-i classification																
AS-i version	2.11; 3.0															
AS-i addressing	Addressing socket															
Extended addressing mode	no															
AS-i master profile	M2; M3; M4															
AS-i profile	S-7.0.E															
AS-i I/O configuration [hex]	7															
AS-i ID code [hex]	0.E															
AS-i certificate	37301															
Data bits	<table border="1"> <thead> <tr> <th>Data bit</th> <th>D0</th> <th>D1</th> <th>D2</th> <th>D3</th> </tr> </thead> <tbody> <tr> <td>Input</td> <td>I-1</td> <td>I-2</td> <td>I-3</td> <td>I-4</td> </tr> <tr> <td>Output</td> <td>O-1</td> <td>O-2</td> <td>O-3</td> <td>O-4</td> </tr> </tbody> </table>	Data bit	D0	D1	D2	D3	Input	I-1	I-2	I-3	I-4	Output	O-1	O-2	O-3	O-4
Data bit	D0	D1	D2	D3												
Input	I-1	I-2	I-3	I-4												
Output	O-1	O-2	O-3	O-4												
Mechanical data																
Weight [g]	141															
Housing	rectangular															
Type of mounting	Mounting on DIN rail; (TH35 (EN 60715))															
Dimensions [mm]	93 x 25.4 x 108															
Material	PC-GF20															

AC2251



AS-Interface control cabinet module

SmartL25 4DI 4DO T C

Displays / operating elements	
Display	Switching status Power errors
	LED, yellow I1...I4, O1...O4 LED, green AS-i, AUX LED, red
Accessories	
Accessories (optional)	connector
Remarks	
Remarks	Do not connect any of the following points to an external potential: I-, I+, I1, I2, I3, I4 The connections are electrically connected with the AS-i cable.
Pack quantity	1 pcs.
Electrical connection	
pin header:	
Connection	

I-	I-	I-	I-
I1	I2	I3	I4
I+	I+	I+	I+

O-	O-	O-	O-
O1	O2	O3	O4
A+	A-	E+	E-

A+	AS-i +
A-	AS-i -
I+	Sensor supply +24V
I-	Sensor supply 0V
E+	Actuator supply +24V
E-	Actuator supply 0V
I1...I4	Switching input sensor 1...4
O1...O4	Switching output actuator 1...4
O-	Switching output actuator 0V