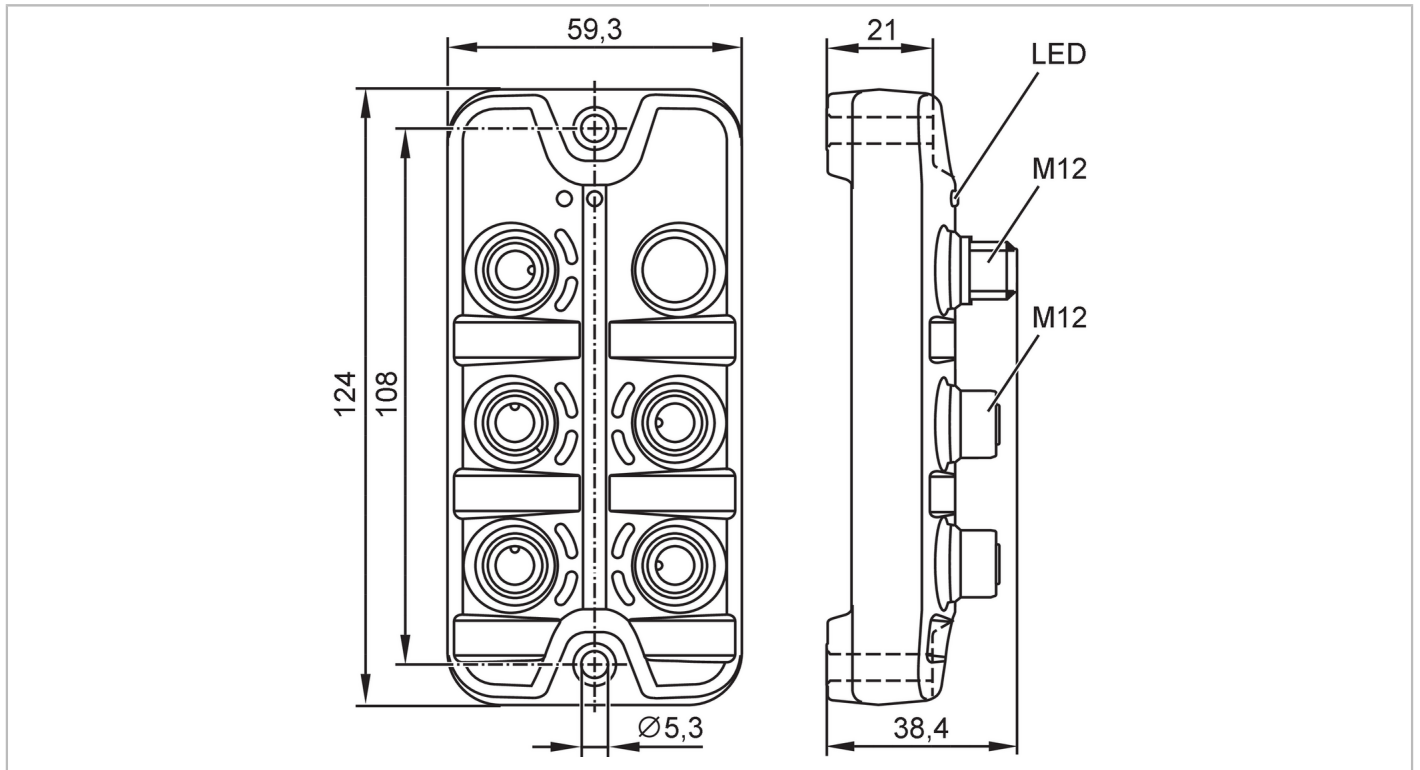


# AC2954



## AS-Interface ProcessLine module

ProcessLine 4DI-Y IP69K



Application	
Application	sanitary and wet areas in the food industry
Electrical data	
Operating voltage [V]	18...31.6 DC
Max. current consumption from AS-i [mA]	250
Protection class	III
Integrated watchdog	yes
Inputs / outputs	
Number of inputs and outputs	Number of digital inputs: 4
Inputs	
Number of digital inputs	4
Input circuit of digital inputs	PNP
Sensor supply of the inputs	AS-i
Voltage supply [V]	18...30
Max. total current rating of inputs [mA]	180
Input current High [mA]	2...4
Input current low [mA]	0...1.5
Switching level high [V]	> 11
Digital inputs protected against short circuits	yes

# AC2954



## AS-Interface ProcessLine module

ProcessLine 4DI-Y IP69K

Operating conditions					
Ambient temperature [°C]	-25...60				
Storage temperature [°C]	-25...85				
Max. relative air humidity [%]	90; (non condensing)				
Max. height above sea level [m]	4000				
Protection	IP 65; IP 66; IP 67; IP 69K; (operation with stainless steel protective caps: IP 69K)				
Degree of soiling	2				
Chemical media	ISO 16750-5 HLP, CC, DB, DC, DD, CA NEMA 250 5.13.1 AA				
Tests / approvals					
EMC	EN 62026-2				
	EN 61000-6-2				
	EN 61000-6-3				
	IEC 61131-2 Type 3				
Shock resistance	DIN EN 60068-2-27				
Vibration resistance	DIN EN 60068-2-6				
	DIN EN 60068-2-64				
MTTF [years]	233				
UL approval	File number UL E205959				
AS-i classification					
AS-i version	2.11; 3.0				
Extended addressing mode	yes				
AS-i profile	S-0.A.E				
AS-i I/O configuration [hex]	0				
AS-i ID code [hex]	A.E				
Data bits	Data bit	D0	D1	D2	D3
	Input	1	2	3	4
	Socket	I-1/2	I-1/2 / I-2	I-3/4	I-3/4 / I-4
	Pin	4	2 4	4	2 4
Mechanical data					
Weight [g]	234.1				
Housing	rectangular				
Type of mounting	Backplane mounting				
Dimensions [mm]	124 x 59.3 x 38.4				
Material	housing: PA grey; Connectors: stainless steel (1.4404 / 316L); sealing: EPDM				
Displays / operating elements					
Display	Switching status	LED, yellow IN1...IN4			
	Power	LED, green AS-i			
	error	LED, red			
Remarks					
Remarks	Do not connect any of the following points to an external potential: L-; L+; IN1; IN2; IN3; IN4 The connections are electrically connected with the AS-i cable.				
Pack quantity	1 pcs.				



## AS-Interface ProcessLine module

ProcessLine 4DI-Y IP69K

### Electrical connection - Power IN

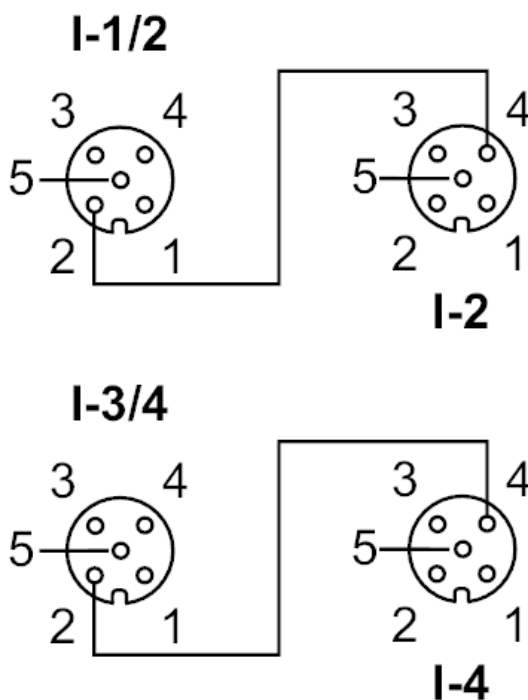
Connector: M12; coding: A; Contacts: 4



1	AS-i +
2	n.c.
3	AS-i -
4	n.c.

### Electrical connection - Inputs

#### Connection



Connector: M12

#### I-1/2

1	L+
2	IN2 DI internal gebrückt mit Buchse I-2 PIN 4
3	L-
4	IN1 DI
5	n.c.

#### I-2

1	L+
2	n.c.
3	L-
4	IN2 DI internal gebrückt mit Buchse I-1/2 PIN 2
5	n.c.

#### I-3/4

1	L+
2	IN4 DI internal gebrückt mit Buchse I-4 PIN 4
3	L-
4	IN3 DI
5	n.c.

# AC2954



## AS-Interface ProcessLine module

ProcessLine 4DI-Y IP69K

I-4	
1	L+
2	n.c.
3	L-
4	IN4 DI internal gebrückt mit Buchse I-3/4 PIN 2
5	n.c.