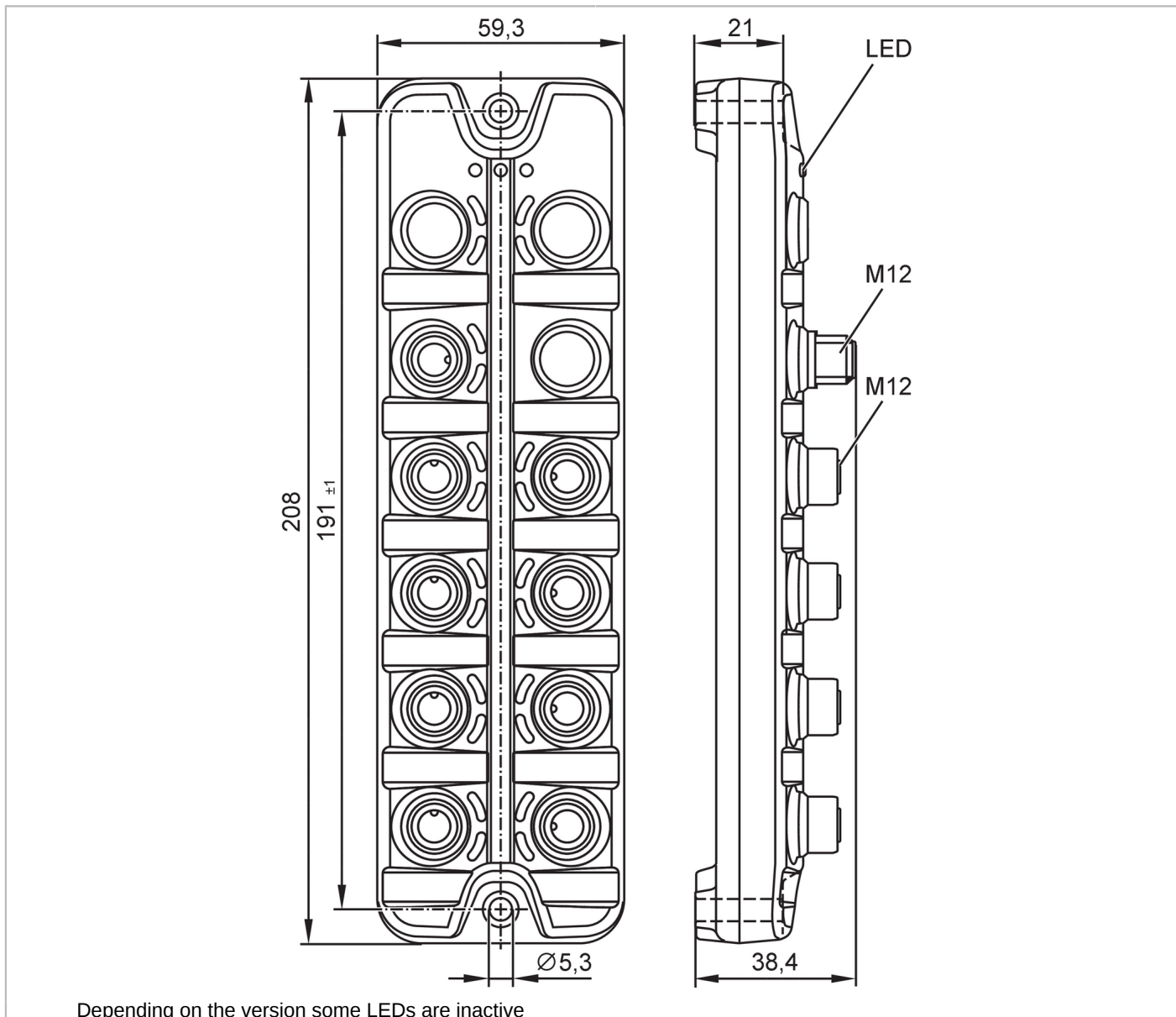


AC2953



AS-Interface ProcessLine module

ProcessLine 4DI-Y 4DO IP69K



Depending on the version some LEDs are inactive



Application

Application: sanitary and wet areas in the food industry

Electrical data

Operating voltage	[V]	18...31.6 DC
Max. current consumption from AS-i	[mA]	250
Protection class		III
Additional voltage supply	[V]	15...30 DC
Max. current consumption from additional supply	[mA]	3500; (AUX)
Integrated watchdog		yes

Inputs / outputs

Number of inputs and outputs: Number of digital inputs: 4; Number of digital outputs: 4



AS-Interface ProcessLine module

ProcessLine 4DI-Y 4DO IP69K

Inputs		
Number of digital inputs		4
Input circuit of digital inputs		PNP
Sensor supply of the inputs		AS-i
Voltage supply [V]		18...30
Max. total current rating of inputs [mA]		180
Input current High [mA]		2...4
Input current low [mA]		0...1.5
Switching level high [V]		> 11
Digital inputs protected against short circuits		yes
Outputs		
Number of digital outputs		4
Circuit		PNP
Voltage range DC [V]		15...30
Max. current load per output [mA]		1000
Max. current load outputs total [A]		3.5
Short-circuit proof		yes
Electrically separated		yes
Actuator supply outputs		AUX
Operating conditions		
Ambient temperature [°C]		-25...60
Note on ambient temperature		2000 m: -25...60 °C
		3000 m: -25...56 °C
		4000 m: -25...53 °C
Storage temperature [°C]		-25...85
Max. relative air humidity [%]		90; (non condensing)
Max. height above sea level [m]		4000
Protection	IP 65; IP 66; IP 67; IP 69K; (operation with stainless steel protective caps: IP 69K)	
Degree of soiling		2
Chemical media	ISO 16750-5	HLP, CC, DB, DC, DD, CA
	NEMA 250 5.13.1	AA
Tests / approvals		
EMC	EN 62026-2	
	EN 61000-6-2	
	EN 61000-6-3	
	IEC 61131-2 Type 3	
Shock resistance	DIN EN 60068-2-27	
Vibration resistance	DIN EN 60068-2-6	
	DIN EN 60068-2-64	
MTTF [years]		123
UL approval	File number UL	E205959
AS-i classification		
AS-i version		3.0

AC2953



AS-Interface ProcessLine module

ProcessLine 4DI-Y 4DO IP69K

Extended addressing mode	yes				
AS-i profile	S-7.A.7				
AS-i I/O configuration [hex]	7				
AS-i ID code [hex]	A.7				
AS-i ID1 code [hex]	7; (fixed)				
Data bits	Data bit	D0	D1	D2	D3
	Input	1	2	3	4
	Socket	I-1/2	I-1/2 / I-2	I-3/4	I-3/4 / I-4
	Pin	4	2 4	4	2 4
	Output	1	2	3	4
	Socket	O-1	O-2	O-3	O-4
	Pin	4	4	4	4

Mechanical data

Weight [g]	401.1
Housing	rectangular
Type of mounting	Backplane mounting
Dimensions [mm]	208 x 59.3 x 38.4
Material	housing: PA grey; Connectors: stainless steel (1.4404 / 316L); sealing: EPDM

Displays / operating elements

Display	Switching status	LED, yellow IN1...IN4; OUT1...OUT4
	Power	LED, green AS-i, AUX
	error	LED, red

Remarks

Remarks	Do not connect any of the following points to an external potential: L-; L+; IN1; IN2; IN3; IN4
	The connections are electrically connected with the AS-i cable.
Pack quantity	1 pcs.

Electrical connection - Power IN

Connector: M12; coding: A; Contacts: 4



1	AS-i +
2	AUX-
3	AS-i -
4	AUX+

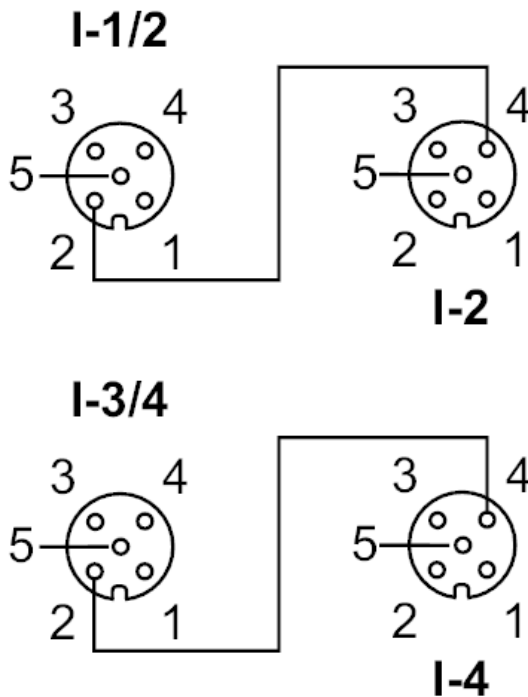


AS-Interface ProcessLine module

ProcessLine 4DI-Y 4DO IP69K

Electrical connection - Inputs

Connection



Connector: M12

I-1/2

1	L+
2	IN2 DI internal gebrückt mit Buchse I-2 PIN 4
3	L-
4	IN1 DI
5	n.c.

I-2

1	L+
2	n.c.
3	L-
4	IN2 DI internal gebrückt mit Buchse I-1/2 PIN 2
5	n.c.

I-3/4

1	L+
2	IN4 DI internal gebrückt mit Buchse I-4 PIN 4
3	L-
4	IN3 DI
5	n.c.

I-4

1	L+
2	n.c.
3	L-
4	IN4 DI internal gebrückt mit Buchse I-3/4 PIN 2
5	n.c.

AC2953

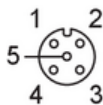


AS-Interface ProcessLine module

ProcessLine 4DI-Y 4DO IP69K

Electrical connection - Outputs

Connector: M12; coding: A; Contacts: 2



O-1...O-4

1	n.c.
2	n.c.
3	OUT-
4	OUT DO
5	n.c.