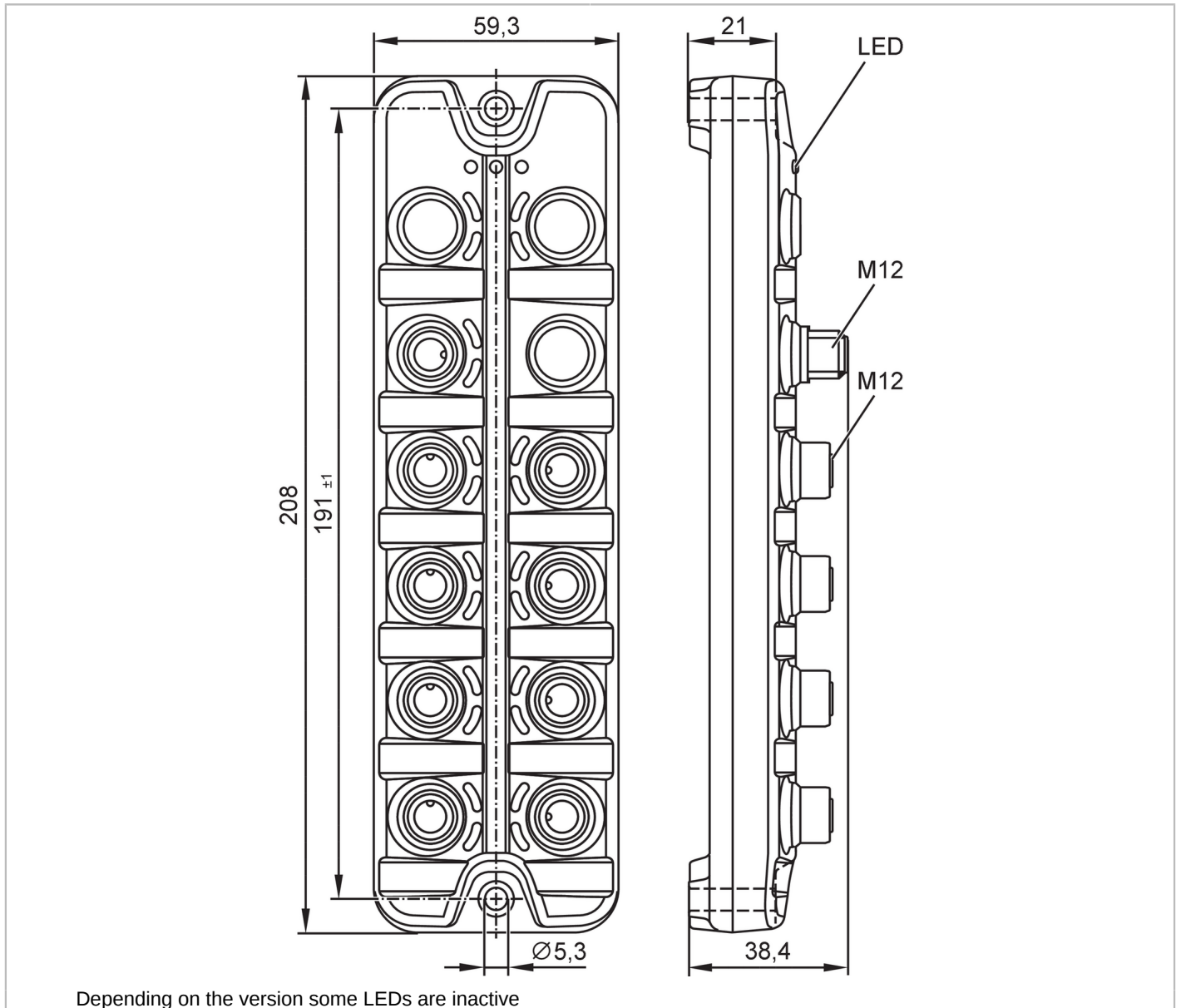


# AC2951



## Passive power distributor

ProcessLine 8SB IP69K



Application		
Design		AS-i oder IO-Link Spannungsverteiler
Application		sanitary and wet areas in the food industry
Electrical data		
Protection class		III
Overcurrent detection		yes; (4400 mA ± 200 mA)
AS-i operation		
Operating voltage	[V]	18...31.6 DC; (AS-i)
Current consumption	[mA]	4000; (AS-i)
Additional voltage supply	[V]	15...30 DC; (AUX)
Max. current consumption from additional supply	[mA]	4000; (AUX)

# AC2951



## Passive power distributor

ProcessLine 8SB IP69K

IO-Link operation		
Operating voltage	[V]	20...30 DC; (US)
Current consumption	[mA]	4000; (US)
Additional voltage supply	[V]	20...30 DC; (UA)
Max. current consumption from additional supply	[mA]	4000; (UA)

Operating conditions		
Ambient temperature	[°C]	-25...60
Storage temperature	[°C]	-25...85
Max. relative air humidity	[%]	90; (non condensing)
Max. height above sea level	[m]	4000
Protection		IP 65; IP 66; IP 67; IP 69K; (operation with stainless steel protective caps: IP 69K)
Protection rating (NEMA 250)		6P
Degree of soiling		2
Chemical media	ISO 16750-5	HLP, CC, DB, DC, DD, CA
	NEMA 250 5.13.1	AA


Tests / approvals		
EMC	EN 62026-2	
	IEC 61000-6-2	
Shock resistance	DIN EN 60068-2-27	
Vibration resistance	DIN EN 60068-2-64	
	DIN EN 60068-2-6	
MTTF	[years]	379

Mechanical data		
Weight	[g]	391.2
Housing		rectangular
Type of mounting		Backplane mounting
Dimensions	[mm]	208 x 59.3 x 38.4
Material		housing: PA grey; Connectors: stainless steel (1.4404 / 316L)

Displays / operating elements		
Display	Power	LED, green AS-i / AUX / US / UA
	fault	LED, red

Electrical connection		
Module connection		M12

Remarks		
Pack quantity		1 pcs.

Electrical connection - Power IN		
Connector: M12; coding: A; Tightening torque: 0.6...0.8 Nm		
		

# AC2951



## Passive power distributor

ProcessLine 8SB IP69K

### AS-i operation

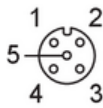
1	AS-i +
2	AUX -
3	AS-i -
4	AUX +

### IO-Link operation

1	+ 24 V DC (US)
2	GND (UA)
3	GND (US)
4	+ 24 V DC (UA)

### Electrical connection - Power OUT

Connector: M12; coding: A; Tightening torque: 0.6...0.8 Nm



### AS-i operation 1...8

1	AS-i +
2	AUX -
3	AS-i -
4	AUX +
5	n.c.

### IO-Link operation 1...8

1	+ 24 V DC (US)
2	GND (UA)
3	GND (US)
4	+ 24 V DC (UA)
5	n.c.