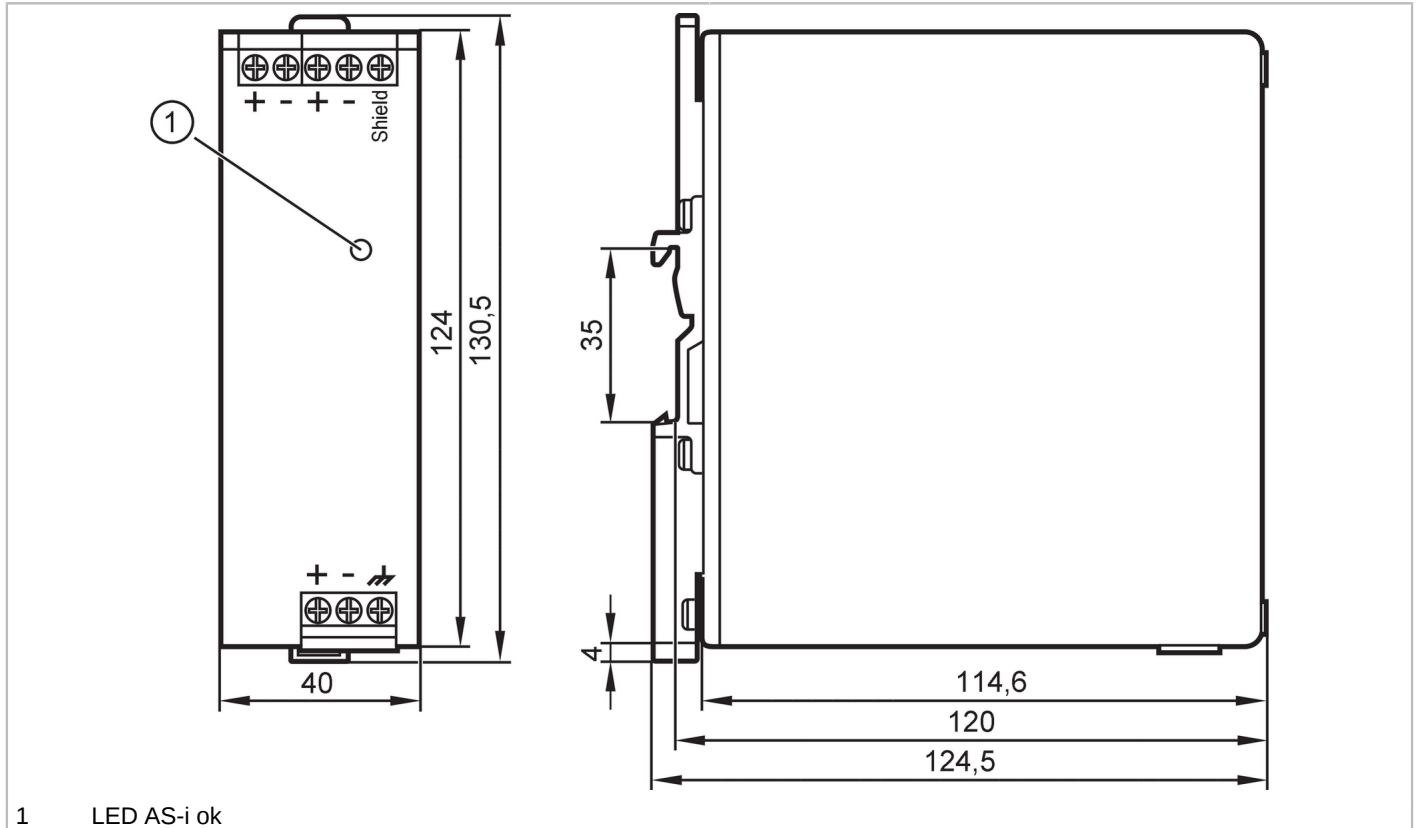


AC1257



AS-Interface power supply

PSU-24VDC/ASI-4A



1 LED AS-i ok



Application

Design

housing for DIN rail mounting

Electrical data

Operating voltage tolerance	[%]	25...35
Nominal voltage DC	[V]	24
Input voltage DC	[V]	24
Protection class		III
Overvoltage protection		yes; (< 36 V)
Max. power-on delay time	[ms]	650
Output voltage AS-i	[V]	30.5
Output power (permanent)	[W]	122
Output power (peak)	[W]	134
Note on output power (peak)	[W]	briefly to load bus capacities after power on
Power reserve	[%]	10
Number of output circuits		1
Output current AS-i	[A]	4
Max. residual ripple	[mV]	50
Switch-on peak current (nominal voltage 24 V DC)	[A]	2
Inrush current limitation		yes
Efficiency (nominal voltage 24 V DC)	[%]	90.5

AC1257



AS-Interface power supply

PSU-24VDC/ASI-4A

External input protection		$\leq B-10\text{ A} / \leq C-8\text{ A}$
Derating [W/K]		3 (60...70 °C)
Mains buffering time (nominal voltage 24 V DC) [ms]		6
Input current (nominal voltage 24 V DC) [A]		5.5
Power loss (nominal voltage 24 V DC) [W]		12.7
Integrated data decoupling		yes
Back feeding protection [V]		35

Outputs

Short-circuit proof		yes
Overload protection		yes
Overload performance		constant output current
Parallel connection of outputs possible		no
Series connection of outputs possible		no

Operating conditions

Ambient temperature [°C]		-25...70
Note on ambient temperature		observe the free space for convection (see operating instructions)
Storage temperature [°C]		-40...85
Max. relative air humidity [%]		95; (IEC 60068-2-30)
Protection		IP 20
Degree of soiling		2; (IEC 62103: conductive soiling not permitted)

Tests / approvals

EMC	EN 61000-6-1	
	EN 61000-6-2	
	EN 61000-6-3	
	EN 61000-6-4	
Vibration resistance	IEC 60068-2-6	$\pm 1,6\text{ mm } 2\text{...}17,8\text{ Hz} / 2\text{ g } 17,8\text{...}500\text{ Hz}$
Shock resistance	IEC 60068-2-27	30 g 6 ms / 20 g 11 ms

AS-i classification

AS-i certificate		98801
------------------	--	-------

Mechanical data

Weight [g]		621
Housing		rectangular
Type of mounting		Mounting on DIN rail; (TH35 (EN 60715))
Dimensions [mm]		130.5 x 40 x 124.5
Material		steel sheet

Displays / operating elements

Display	AS-i voltage	LED, green
---------	--------------	------------

Remarks

Pack quantity		1 pcs.
---------------	--	--------

AC1257



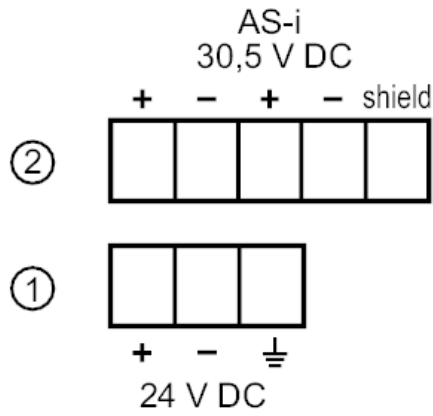
AS-Interface power supply

PSU-24VDC/ASI-4A

Electrical connection

screw terminals:

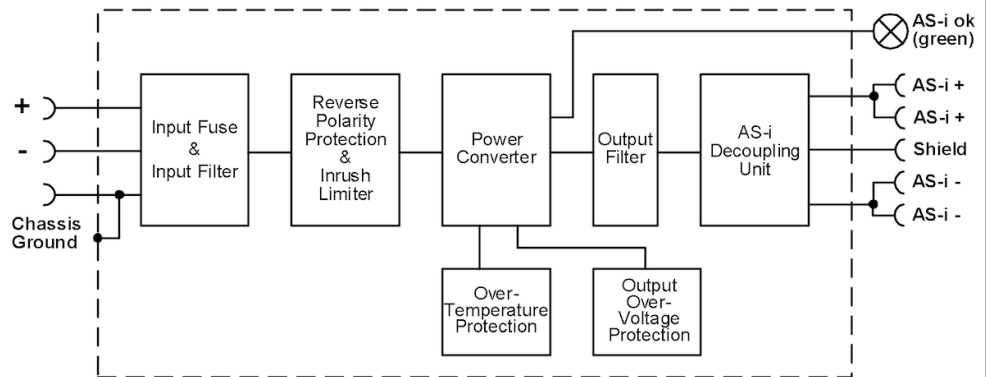
Connection



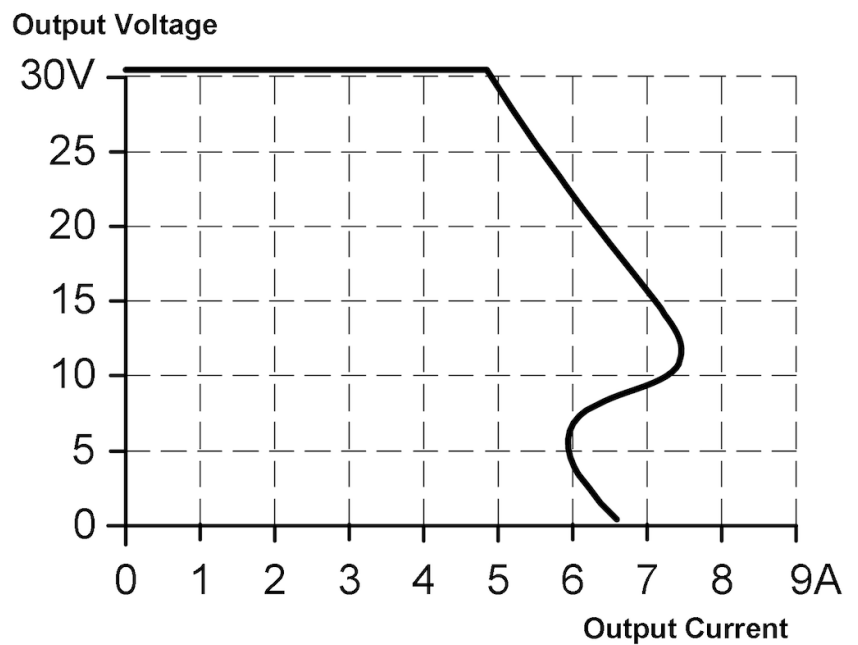
- 1: primary
- 2: secondary

Diagrams and graphs

Block diagram



Output curve



AC1257

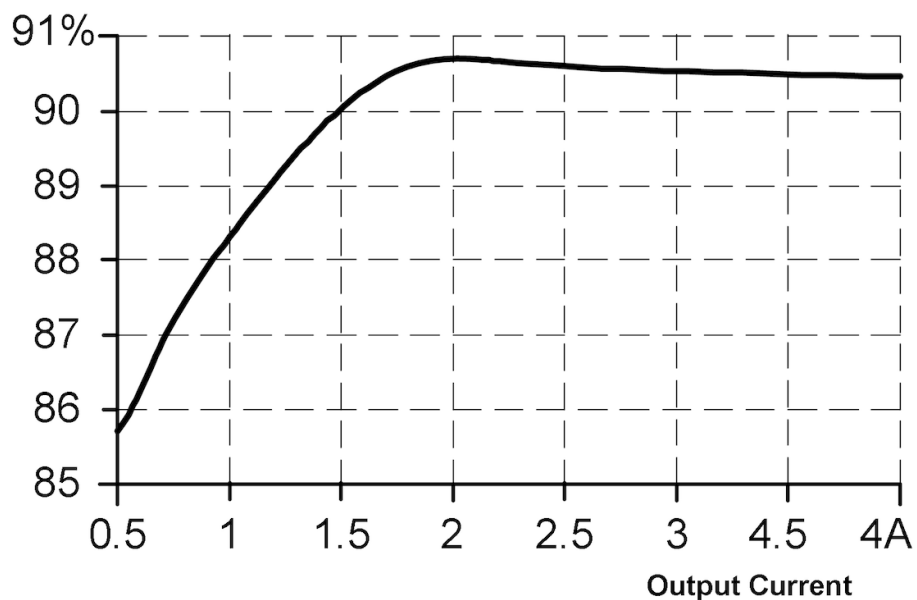


AS-Interface power supply

PSU-24VDC/ASI-4A

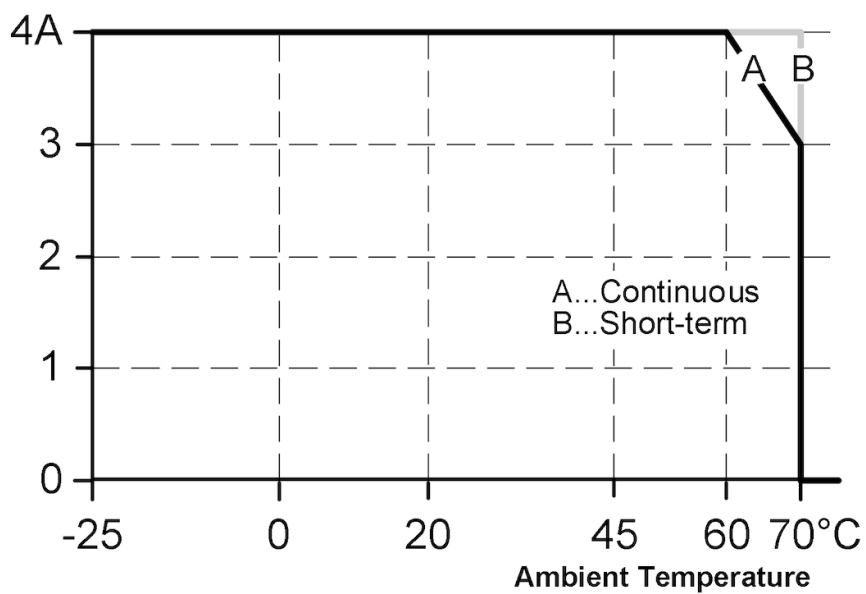
Characteristic curve for degree of efficiency / power loss

Efficiency



Characteristic curve for derating

Allowed Output Current



AC1257



AS-Interface power supply

PSU-24VDC/ASI-4A

Characteristic curve for mains buffering time

Hold-up Time

