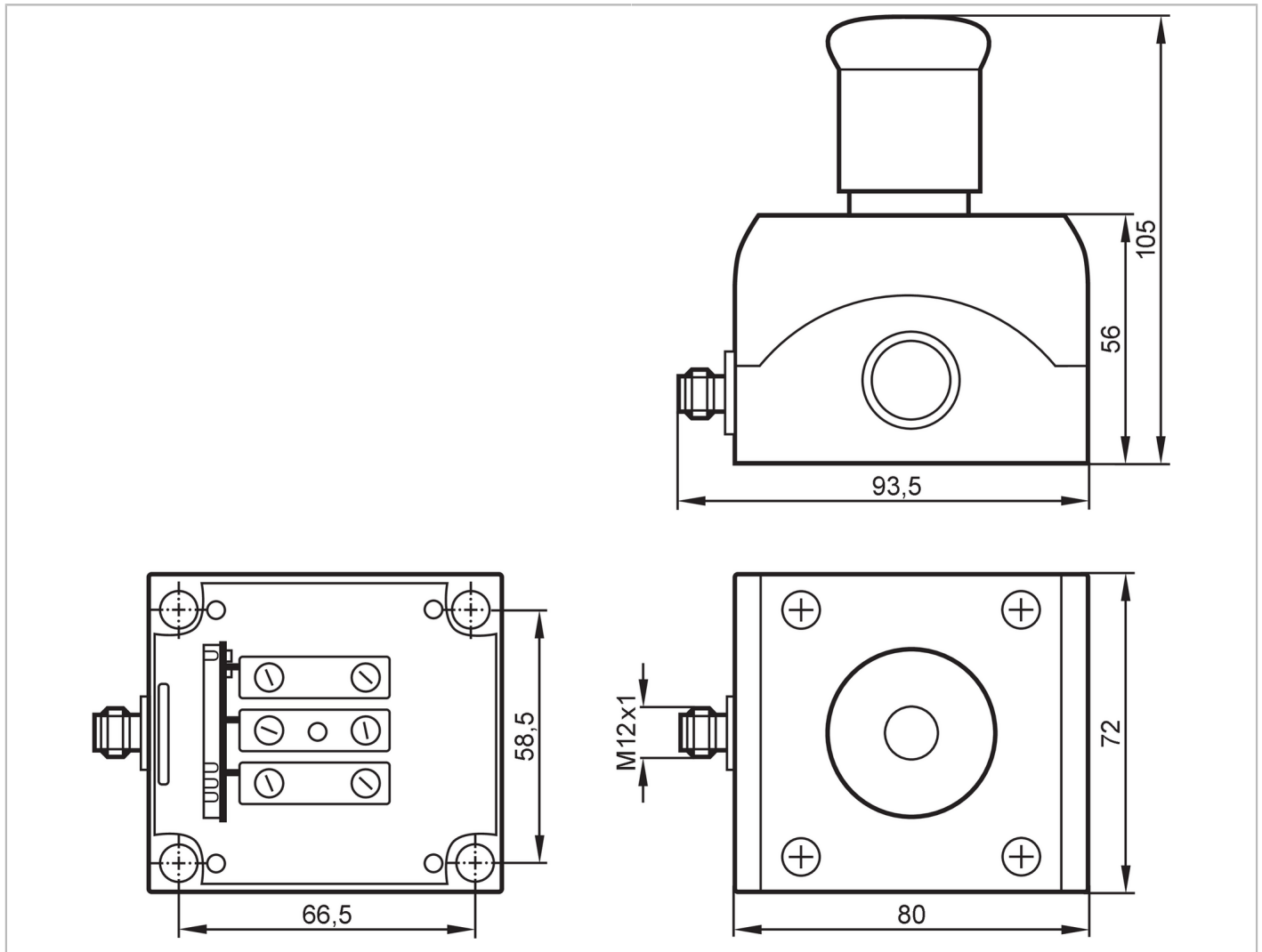


AC010S



Illuminated E-STOP with integrated AS-i connection

E-stop illuminated IP67



Application	
Application	fool-proof E-STOP to EN ISO 13850
Electrical data	
Operating voltage [V]	26.5...31.6 DC
Max. current consumption from AS-i [mA]	50
Integrated watchdog	yes
Inputs	
Input circuit of digital inputs	PNP
Sensor supply of the inputs	AS-i
Voltage supply [V]	20
Input current low [mA]	< 4
Digital inputs protected against short circuits	yes
Outputs	
Electrical design	AS-i

AC010S



Illuminated E-STOP with integrated AS-i connection

E-stop illuminated IP67

Max. current load per output [mA]	10
Short-circuit proof	no
Actuator supply outputs	AS-i

Operating conditions

Ambient temperature [°C]	-25...60
Protection	IP 67

Safety classification

Complies with the requirements	ISO 13849-1: 2015 Category 4, PL e IEC 61508 SIL 3
Mission time TM [h]	87600

AS-i classification

AS-i version	2.1
Extended addressing mode	no
AS-i master profile	M3; M4
AS-i profile	S-7.B.E
AS-i I/O configuration [hex]	7
AS-i ID code [hex]	B.E
AS-i certificate	74601

Mechanical data

Weight [g]	330.6
Housing	rectangular
Dimensions [mm]	93.5 x 72 x 105
Material	PC-GF20

Displays / operating elements

Display	Function	LED, red
---------	----------	----------

Electrical connection

Module connection	M12
-------------------	-----

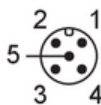
Remarks

Pack quantity	1 pcs.
---------------	--------

Electrical connection

quick mounting technology for AS-i flat cable, IP 67:

Connector: M12; coding: A



1	AS-i +
2	not used
3	AS-i -
4	not used
5	not used