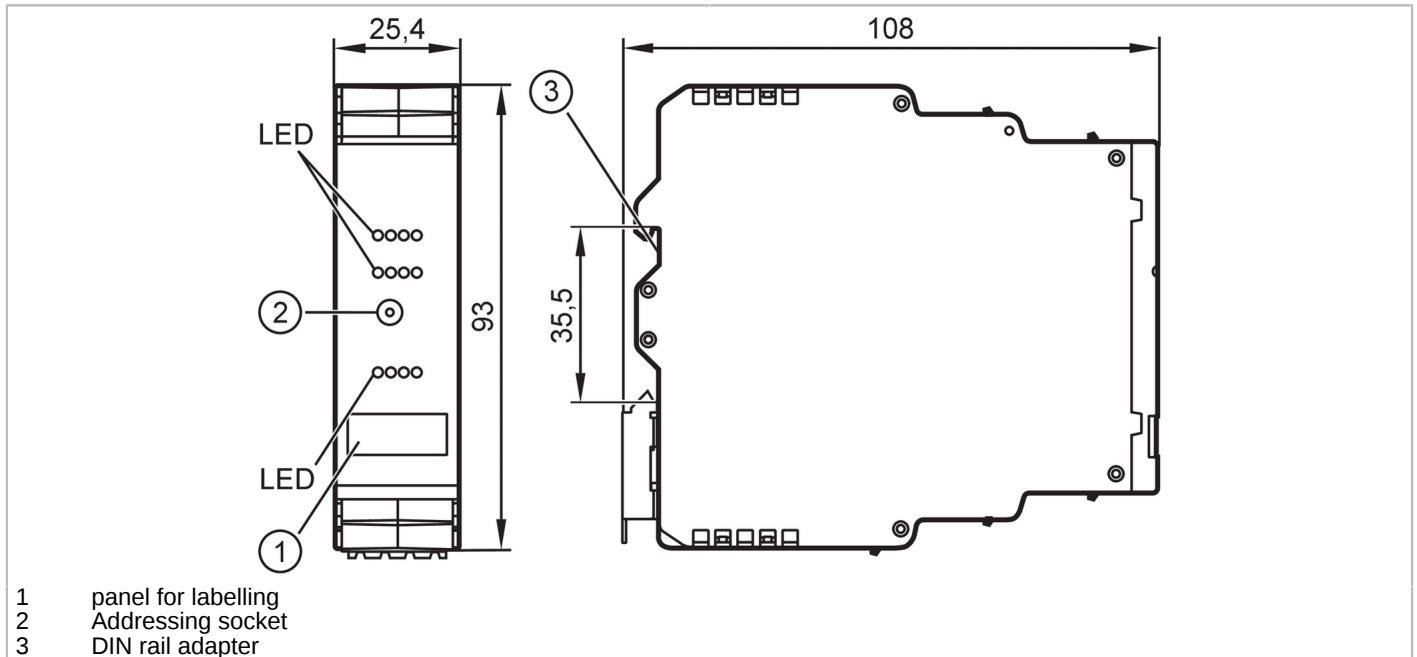


# AC009S



## AS-Interface control cabinet module

SmartLine SafetyModul



Application	
Design	housing for DIN rail mounting
Application	I/O modules for control cabinet installations
Electrical data	
Operating voltage [V]	26.5...31.6 DC
Max. current consumption from AS-i [mA]	250
Max. current load total [A]	6; (resistive load)
Integrated watchdog	yes
Inputs / outputs	
Number of inputs and outputs	Number of digital inputs: 2; Number of relay outputs: 2
Inputs	
Number of digital inputs	2; (2 x safety input)
Input circuit of digital inputs	PNP; (DC)
Sensor supply of the inputs	AS-i
Max. total current rating of inputs [mA]	100
Input current High [mA]	10
Short-circuit protection digital inputs	yes
Outputs	
Voltage range DC [V]	24; (The outputs O3 + O4 must be supplied in pairs with the same voltage. 2 x 24 V DC)
Voltage range AC [V]	10...240; (The outputs O3 + O4 must be supplied in pairs with the same voltage. 2 x 240 V AC)
Max. current load per output [mA]	6000; (resistive load)
Number of relay outputs	2

# AC009S



## AS-Interface control cabinet module

SmartLine SafetyModul

Short-circuit proof	no
Electrically separated	yes

### Operating conditions

Ambient temperature	[°C]	-25...50
Storage temperature	[°C]	< 80
Max. relative air humidity	[%]	80; (non condensing)
Max. height above sea level	[m]	2000
Protection		IP 20
Degree of soiling		2

### Tests / approvals

EMC	EN 61000-6-2	
	EN 62026-2	
	EN 61326-3-1	
	EN 61000-6-4	
Standard	EN 61010-1; EN 13849-1; EN 63000	

### Safety classification

Complies with the requirements	ISO 13849-1 Category 4, PL e IEC 61508 SIL 3
Mission time TM	[h] 175200
Mission time TM (additional indication)	20 years
PFH	[1/h] 4E-09

### AS-i classification

AS-i version	2.11; 3.0				
AS-i addressing	Addressing socket				
Extended addressing mode	no				
AS-i profile	S-7.B.E				
AS-i I/O configuration	[hex] 7				
AS-i ID code	[hex] B.E				
AS-i certificate	62001				
Data bits	Data bit	D0	D1	D2	D3
	Input	SI-1	SI-1	SI-2	SI-2
	Output	O-1	O-2	O-3	O-4

### Mechanical data

Weight	[g] 258
Housing	rectangular
Type of mounting	Mounting on DIN rail; (TH35 (EN 60715))
Dimensions	[mm] 93 x 25.4 x 108
Material	PC-GF20

### Displays / operating elements

Display	Switching status	LED, yellow SI1...SI2, O3...O4
	Power	LED, green AS-i
	errors	LED, red ERR O1...O2

### Remarks

Pack quantity	1 pcs.
---------------	--------

# AC009S



## AS-Interface control cabinet module

SmartLine SafetyModul

### Electrical connection

pin headers: 4 x ; Spacing: 5.0 mm

### Connection

