

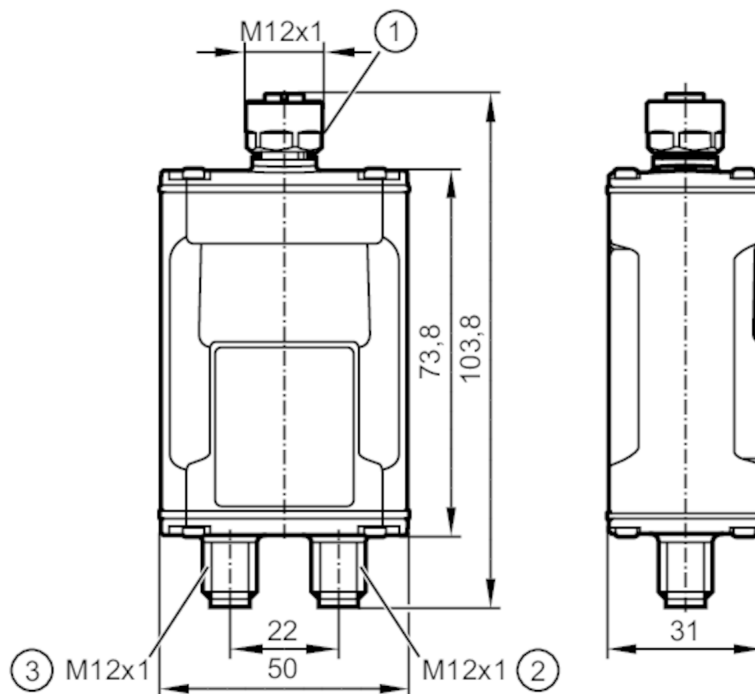
ZZ1060



IO-Link interface

SET AL1060 IO-Link Master USB

article is delivered with parameter setting software moneo configure SA



- 1 IO-Link
- 2 AUX
- 3 USB

Application

Application parameter setting and analysis of units

Electrical data

Nominal voltage DC	[V]	5; (USB)
Current consumption	[mA]	< 1100; (USB)
Protection class		III
Sensor supply		24 V DC

Sensor supply - AUX

Current rating per port	[A]	0.65
-------------------------	-----	------

Sensor supply - USB

Current rating per port	[A]	0.15
-------------------------	-----	------

Inputs / outputs

Number of inputs and outputs Number of digital inputs: 2; Number of digital outputs: 2

Inputs

Number of digital inputs		2; (IO-Link port Class A : 1 x 2)
Switching level high	[V]	11...30
Switching level low	[V]	0...5
Short-circuit protection digital inputs		yes

Outputs

Number of digital outputs 2; (IO-Link port Class A: 1 x 2)

ZZ1060



IO-Link interface

SET AL1060 IO-Link Master USB

Max. current load per output [mA]	150
Short-circuit proof	yes

Interfaces

Communication interface	IO-Link; USB
Number of USB interfaces	1
IO-Link Master	
Transmission type	COM1 (4,8 kBaud); COM2 (38,4 kBaud); COM3 (230,4 kBaud)
IO-Link revision	1.1
Number of ports class A	1

USB

Version	USB 2.0
---------	---------

Operating conditions

Ambient temperature [°C]	-25...50
Storage temperature [°C]	-25...85
Max. relative air humidity [%]	90
Protection	IP 65; IP 67

Tests / approvals

EMC	DIN EN 61000-6-2	
	DIN EN 61000-6-4	
Shock resistance	DIN EN 60068-2-27	
Vibration resistance	DIN EN 60068-2-64	
	DIN EN 60068-2-6	

Mechanical data

Weight [g]	388.3
Materials	housing: PA; socket: PA; lock nut: nickel-plated brass
Sealing material	FKM

Displays / operating elements

Display	PWR	1 x LED, green/red подача напруги
	IO-Link	1 x LED, green/red communication
	DI/DO	1 x LED, orange digital input/output

Аксессуары

Items supplied	IO-Link master with USB interface: 1, AL1060
	Connection cable: 1 m, M12 A-coded, EVC012
	USB cable: 1 m, M12 B-coded, E12689
	Parameter setting software: moneo configure SA, QMP010
Accessories (optional)	Switched-mode power supply 24 V DC:, M12 A-coded, E80121

Remarks

Pack quantity	1 pcs.
---------------	--------



IO-Link interface

SET AL1060 IO-Link Master USB

Electrical connection - AUX

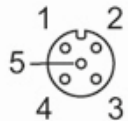
Connector: M12; coding: A



1:	+ 24 V DC US
2:	not used
3:	GND US
4:	not used

Electrical connection - IO-Link

Connector: M12; coding: A; Sealing: FKM



1:	Sensor supply US L+
2:	digital input/output
3:	Sensor supply US L-
4:	IO-Link (C/Q)
5:	not used

Electrical connection - USB

; coding: B



1:	VBUS + 5 V DC
2:	Data -
3:	Data +
4:	GND