

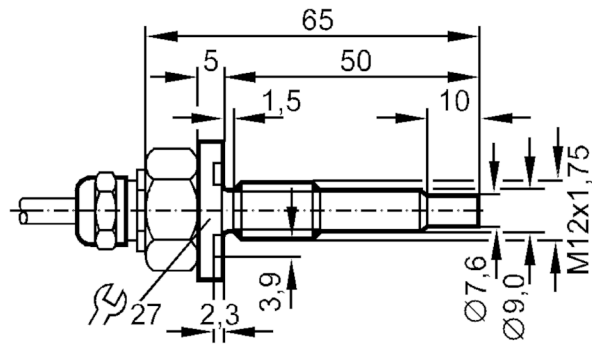
ST1306



Flow sensor for connection to an evaluation unit

STM12ZBB/10M

Article no longer available - archive entry



Application

Application	high-temperature range
Media	Liquids; Gases
Pressure rating [bar]	30

Liquids

Application	high-temperature range
Medium temperature [°C]	0...120

Gases

Medium temperature [°C]	0...100
-------------------------	---------

Electrical data

Connection to control monitor	VS 0100
-------------------------------	---------

Measuring/setting range

Liquids

Setting range [cm/s]	3...300
Greatest sensitivity [cm/s]	3...60

Gases

Setting range [cm/s]	200...1500
Greatest sensitivity [cm/s]	200...800

Accuracy / deviations

Temperature gradient [K/min]	15
------------------------------	----

Response times

Response time [s]	1...10
-------------------	--------

Liquids

Response time [s]	1...10
-------------------	--------

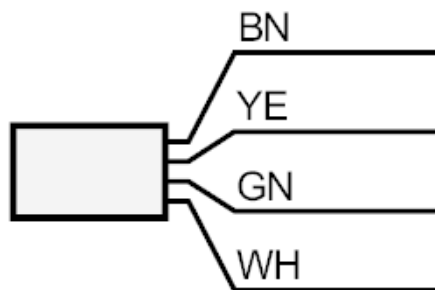
ST1306



Flow sensor for connection to an evaluation unit

STM12ZBB/10M

Gases	
Response time [s]	1...10
Operating conditions	
Protection	IP 67
Mechanical data	
Housing	threaded type
Dimensions [mm]	M12 x 1.75
Thread designation	M12 x 1.75
Materials	stainless steel (1.4571/316Ti)
Process connection	M12 x 1,75
Remarks	
Pack quantity	1 pcs.
Electrical connection	
Cable: 10 m, PUR; Maximum cable length: 100 m; 4 x 0.25 mm ²	
Connection	



Core colours :

BN =	brown
GN =	green
WH =	white
YE =	yellow

Article no longer available - archive entry