

PY9954

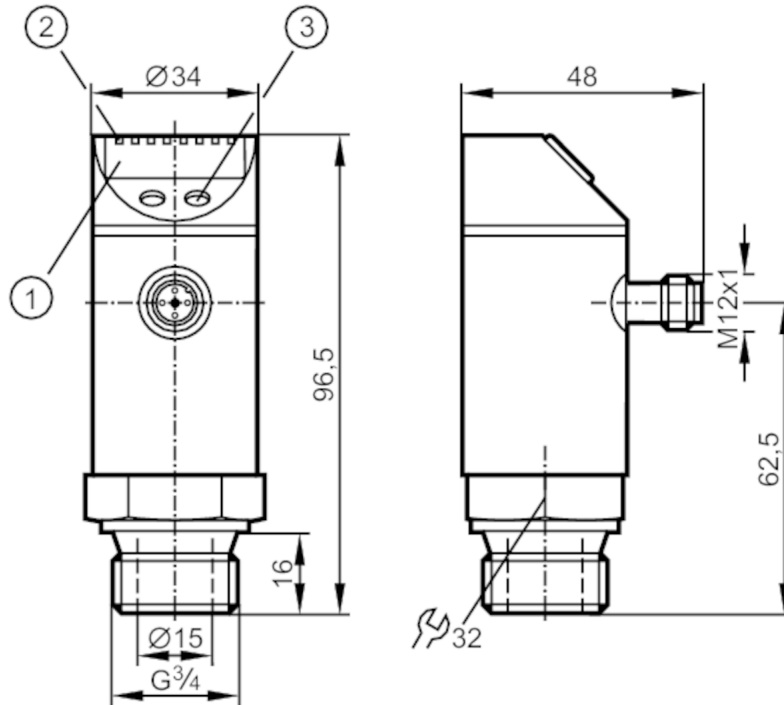


Pressure sensor with display

PY-010-RER34-MFPKG/US/ IV

discontinued article

Alternative article: PY9964 When selecting an alternative article and accessories please note that technical data may differ! –
When selecting an alternative article and accessories please note that technical data may differ! – Discontinuation date: 31.03.2018



- 1 alphanumeric display 4-digit
- 2 LEDs Display unit / switching status
- 3 programming button



Product characteristics

Output signal	switching signal; analogue signal; (configurable)		
Measuring range	-1...10 bar	-14.5...145 psi	-0.1...1 MPa
Process connection	threaded connection G 3/4 external thread		

Application

Special feature	Gold-plated contacts		
Application	food and beverage industry		
Media	viscous media and liquids with suspended particles; liquids and gases		
Medium temperature [°C]	-25...80		
Pressure rating	75 bar	1087 psi	7.5 MPa
Min. bursting pressure	150 bar	2175 psi	15 MPa
Type of pressure	relative pressure		
No dead space	yes		



Pressure sensor with display

PY-010-RER34-MFPKG/US/ IV

Electrical data				
Operating voltage	[V]	18...36 DC; (according to EN 50178 SELV/PELV)		
Current consumption	[mA]	< 50		
Min. insulation resistance	[MΩ]	100; (500 V DC)		
Protection class		III		
Reverse polarity protection		yes		
Overvoltage protection		yes; (< 40 V)		
Power-on delay time	[s]	0.3		
Integrated watchdog		yes		
Inputs / outputs				
Number of inputs and outputs		Number of digital outputs: 1; Number of analogue outputs: 1		
Outputs				
Total number of outputs		2		
Output signal		switching signal; analogue signal; (configurable)		
Electrical design		PNP		
Number of digital outputs		1		
Output function		normally open / normally closed; (parameterisable)		
Max. voltage drop switching output DC	[V]	2		
Permanent current rating of switching output DC	[mA]	250		
Switching frequency DC	[Hz]	< 170		
Number of analogue outputs		1		
Analogue current output	[mA]	4...20		
Max. load	[Ω]	(U _b - 10 V) / 20 mA		
Analogue voltage output	[V]	0...10		
Min. load resistance	[Ω]	2000		
Short-circuit protection		yes		
Type of short-circuit protection		pulsed		
Measuring/setting range				
Measuring range		-1...10 bar	-14.5...145 psi	-0.1...1 MPa
Set point SP		-0.9...10 bar	-12...145 psi	-0.09...1 MPa
Reset point rP		-0.95...9.95 bar	-13...144 psi	-0.095...0.995 MPa
In steps of		0.05 bar	1 psi	0.005 MPa
Accuracy / deviations				
Switch point accuracy	[% of the final value]	< ± 0,5		
Repeatability	[% of the final value]	< ± 0,1; (with temperature fluctuations < 10 K)		
Characteristics deviation	[% of the final value]	< ± 0,5		
Hysteresis deviation	[% of the final value]	< ± 0,25		
Long-term stability		< ± 0,05		


PY9954



Pressure sensor with display

PY-010-RER34-MFPKG/US/ IV

[% of the final value]

Response times		
Delay time programmable dS, dr [s]	0; 0,2...50	
Max. response time analogue output [ms]	3	
Software / programming		
Parameter setting options	hysteresis / window; normally open / normally closed; switch-on/ switch-off delay; Damping; Display unit; current/voltage output	
Operating conditions		
Ambient temperature [°C]	-20...80	
Storage temperature [°C]	-40...100	
Protection	IP 67	
Tests / approvals		
EMC	EN 61000-4-2 ESD	4 kV CD / 8 kV AD
	EN 61000-4-3 HF radiated	10 V/m
	EN 61000-4-4 Burst	2 kV
	EN 61000-4-5 Surge	0,5/1 kV
	EN 61000-4-6 HF conducted	10 V
Shock resistance	DIN IEC 68-2-27	50 g (11 ms)
Vibration resistance	DIN IEC 68-2-6	20 g (10...2000 Hz)
Mechanical data		
Weight [g]	282.5	
Materials	stainless steel (1.4301 / 304); stainless steel (1.4404 / 316L); PC; PBT; PEI; FKM; PTFE	
Materials (wetted parts)	stainless steel (1.4404 / 316L); ceramics (99.9 % Al ₂ O ₃); FKM	
Min. pressure cycles	100 million	
Process connection	threaded connection G 3/4 external thread	
Displays / operating elements		
Display	Display unit	3 x LED, green
	switching status	LED, yellow
	function display	alphanumeric display, 4-digit
	measured values	alphanumeric display, 4-digit
Remarks		
Notes	discontinued article	
Pack quantity	1 pcs.	
Electrical connection		
Connector: 1 x M12; Contacts: gold-plated		
		

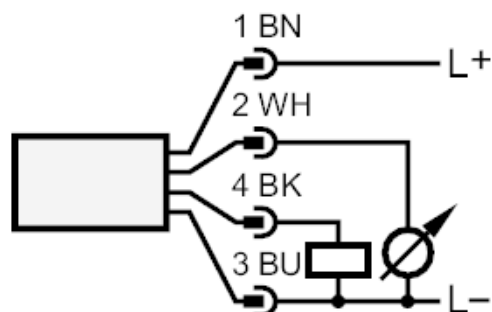
PY9954



Pressure sensor with display

PY-010-RER34-MFPKG/US/ IV

Connection



discontinued article

Alternative article: PY9964 When selecting an alternative article and accessories please note that technical data may differ! –
When selecting an alternative article and accessories please note that technical data may differ! – Discontinuation date: 31.03.2018