

PPA020

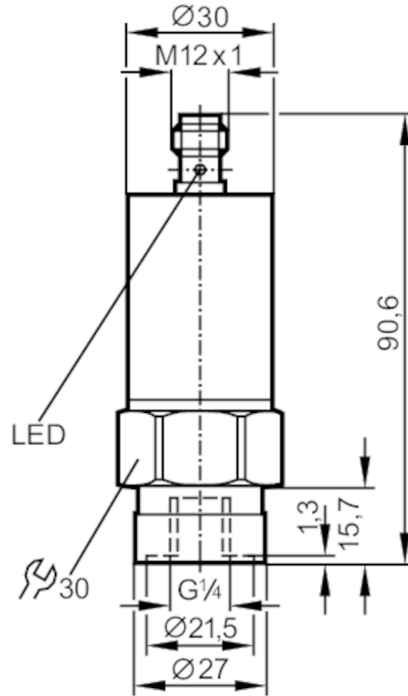


Pressure switch with ceramic measuring cell

PPA400-SBR14-ASIVG/US/ IV

discontinued article

Alternative article: PP7550 + AC5225 When selecting an alternative article and accessories please note that technical data may differ! – When selecting an alternative article and accessories please note that technical data may differ!



Product characteristics

Measuring range	[bar]	0...400
Process connection		threaded connection G 1/4 internal thread

Application

Special feature		Gold-plated contacts
Design		analogue value (16 bit value incl. sign)
Application		for industrial applications
Media		Liquids
Conditionally suitable for		use in gases at pressures > 25 bar only on request
Medium temperature	[°C]	-25...80
Pressure rating	[bar]	600
Min. bursting pressure	[bar]	1000
Type of pressure		relative pressure



Pressure switch with ceramic measuring cell

PPA400-SBR14-ASIVG/US/ IV

Electrical data		
Operating voltage	[V]	18...31.6 DC
Current consumption	[mA]	< 25
Min. insulation resistance	[MΩ]	100; (500 V DC)
Protection class		III
Reverse polarity protection		yes
Power-on delay time	[s]	0.3
Integrated watchdog		yes
Outputs		
Electrical design		AS-i
Overload protection		yes
Measuring/setting range		
Measuring range	[bar]	0...400
Accuracy / deviations		
Repeatability	[% of the span]	< ± 0,1; (with temperature fluctuations < 10 K)
Characteristics deviation	[% of the span]	< ± 0,5; (linearity, incl. hysteresis and repeatability limit value setting to DIN 16086)
Hysteresis deviation	[% of the span]	< ± 0,5
Long-term stability	[% of the span]	< ± 0,1; (per year)
Temperature coefficient zero point	[% of the span / 10 K]	0,2; (0...70 °C)
Temperature coefficient span	[% of the span / 10 K]	0,3; (0...70 °C)
Operating conditions		
Ambient temperature	[°C]	-25...70
Storage temperature	[°C]	-40...100
Protection		IP 67
Tests / approvals		
EMC	EN 61000-4-2 ESD	4 kV CD / 8 kV AD Klasse B
	EN 61000-4-3 HF radiated	10 V/m
	EN 61000-4-4 Burst	1 kV Class A / 2 kV class B
	EN 55011 emission	Level B
Shock resistance	DIN IEC 68-2-27	50 g (11 ms)
Vibration resistance	DIN IEC 68-2-6	20 g (10...2000 Hz)
MTTF	[years]	293
Pressure Equipment Directive		Sound engineering practice; can be used for group 2 fluids; group 1 fluids on request

PPA020



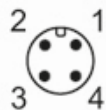
Pressure switch with ceramic measuring cell

PPA400-SBR14-ASIVG/US/ IV

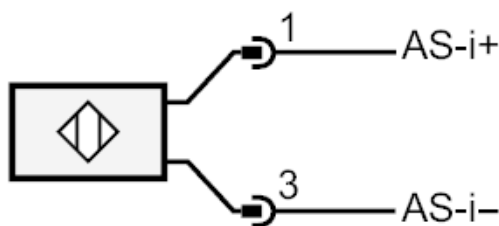
Mechanical data		
Weight	[g]	248
Materials		stainless steel (1.4301 / 304); PA
Materials (wetted parts)		stainless steel (1.4305 / 303); ceramics; FKM
Min. pressure cycles		100 million
Process connection		threaded connection G 1/4 internal thread
Restrictor element integrated		yes
Displays / operating elements		
Display	operation	LED, green
	failure	LED, red
Remarks		
Pack quantity		1 pcs.

Electrical connection

Connector: 1 x M12; Contacts: gold-plated



Connection



discontinued article

Alternative article: PP7550 + AC5225 When selecting an alternative article and accessories please note that technical data may differ! – When selecting an alternative article and accessories please note that technical data may differ!