

# E43907

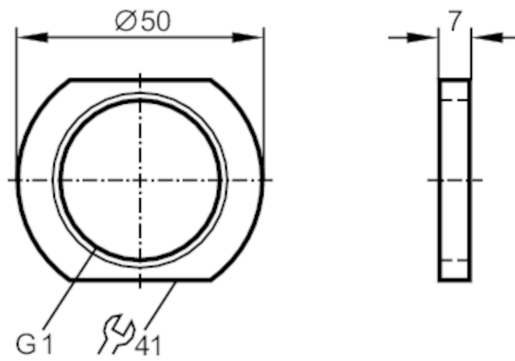


## Lock nut for mounting adapter

LOCK NUT G1",PVDF

Article no longer available - archive entry

Alternative article: E43906 When selecting an alternative article and accessories please note that technical data may differ! – When selecting an alternative article and accessories please note that technical data may differ! – Discontinuation date: 31.03.2015



### Application

Design for mounting adapters

### Operating conditions

Ambient temperature [°C] -25...110

### Mechanical data

Weight [g] 0.013

Materials PVDF

### Remarks

Notes discontinued article

Pack quantity 1 pcs.

Article no longer available - archive entry

Alternative article: E43906 When selecting an alternative article and accessories please note that technical data may differ! – When selecting an alternative article and accessories please note that technical data may differ! – Discontinuation date: 31.03.2015