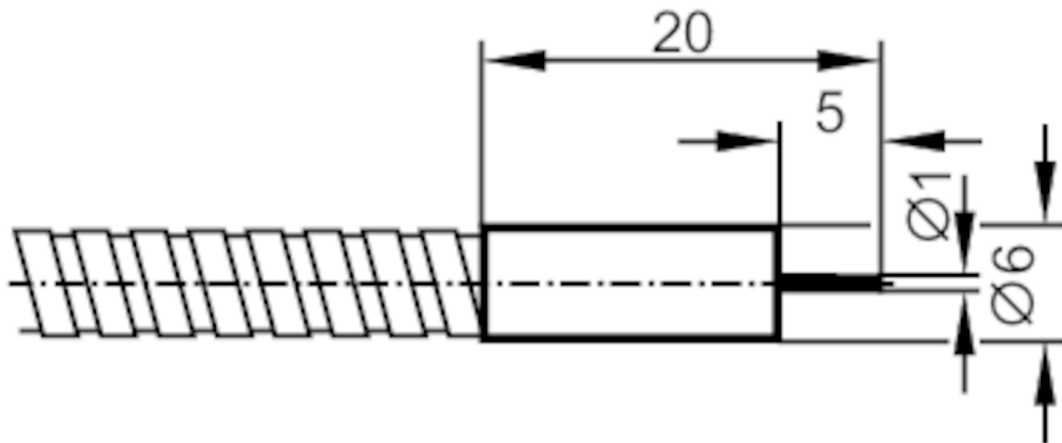


# E20057



## Fibre optic diffuse reflection sensor

FT-00-A-V-E1



### Application

Function principle Diffuse reflection sensor

### Detection zone

Range with fibre optic amplifier type OKF; OUF; OOF

#### OKF

Range fibre optics [mm] 8

#### OOF

Range fibre optics [mm] 24

#### OUF

Range fibre optics [mm] 8

### Operating conditions

Ambient temperature [°C] -40...290

# E20057



## Fibre optic diffuse reflection sensor

FT-00-A-V-E1

Mechanical data	
Weight [g]	46
Version of sensing head	straight
Sensing head diameter [mm]	1
Sensing head length [mm]	5
Total length [mm]	600
Min. bending radius [mm]	20; (for fixed installation)
Fibre arrangement	Ⓢ
Materials	Adapter: ABS
Fibre material	glass
Fibre head material	stainless steel (1.4305 / 303)
Fibre sheath material	aluminium
Accessories	
Accessories (supplied)	E20103
Remarks	
Pack quantity	1 pcs.