

E17148

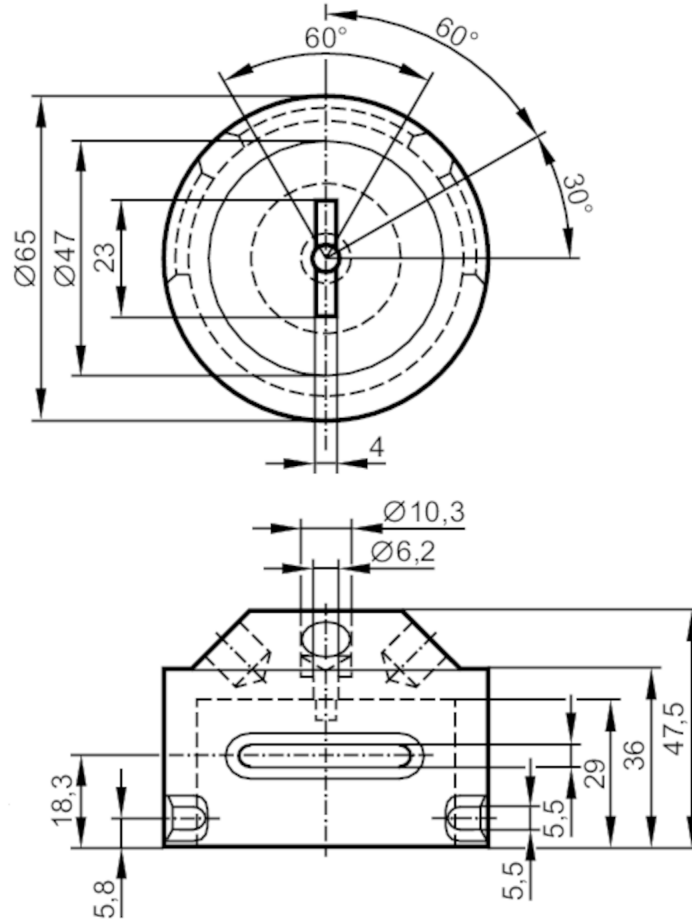


Target pucks for valve actuators

PUCK/D65/ADJUSTABLESCREWS

discontinued article

Alternative article: E12516 When selecting an alternative article and accessories please note that technical data may differ!; discontinued article – When selecting an alternative article and accessories please note that technical data may differ! – Discontinuation date: 31.03.2018



Application

Design

for mechanical interfaces to pneumatic actuators or manually-operated valves VDI / VDE 3845, ISO 5211 / DIN 3337

Mechanical data

Weight	[g]	125.5
Target puck diameter	[mm]	65
Hole spacing	[mm]	80
Shaft height of valve drive	[mm]	30
Housing colour		black
Materials		target puck: PVC; screws: stainless steel

Remarks

Notes

discontinued article

Pack quantity

1 pcs.

discontinued article

E17148



Target pucks for valve actuators

PUCK/D65/ADJUSTABLESCREWS

Alternative article: E12516 When selecting an alternative article and accessories please note that technical data may differ!; discontinued article – When selecting an alternative article and accessories please note that technical data may differ! – Discontinuation date: 31.03.2018