

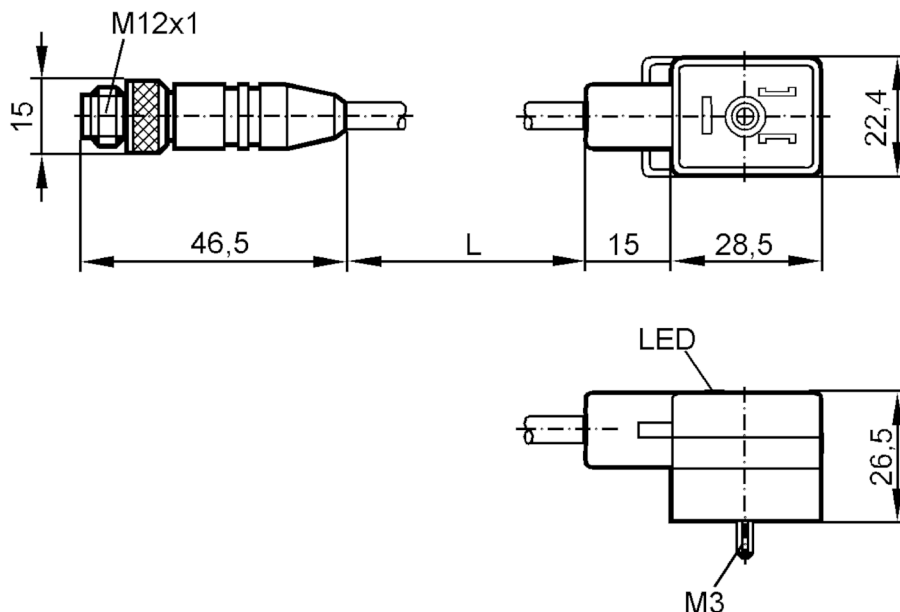
E11011



Connection cable

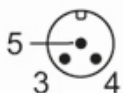
VSTGH050MSS0002I03VDAB031--S

Article no longer available - archive entry



Application	
Special feature	Halogen-free
Electrical data	
Operating voltage [V]	< 24 AC/DC
Operating conditions	
Ambient temperature [°C]	-25...90
Protection	IP 67
Mechanical data	
Dimensions [mm]	15 x 15 x 46.5
Materials	TPU
Material nut	brass, nickel-plated / brass, nickel-plated
Accessories	
Accessories (supplied)	screw panel for labelling
Remarks	
Pack quantity	1 pcs.
Electrical connection - plug	

Connector: 1 x M12, straight; Moulded body: TPU; Locking: brass, nickel-plated



E11011



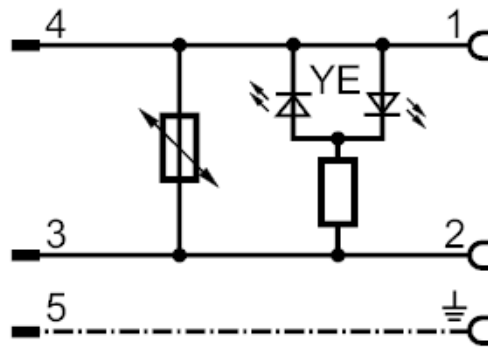
Connection cable

VSTGH050MSS0002I03VDAB031--S

Electrical connection

Cable: 2 m, PUR, Halogen-free; cross-linked; 3 x 0.5 mm²

Connection



Electrical connection - socket

Connector: 1 x valve type B DIN, angled; Moulded body: TPU; Locking: brass, nickel-plated



Article no longer available - archive entry