

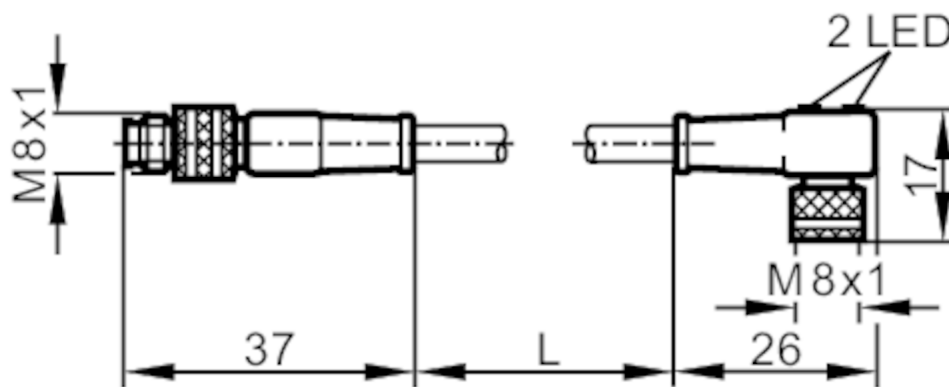
E10933



Connection cable

VDOAF032MSS0002H03STGF030MSS

Article no longer available - archive entry



Application

Special feature Halogen-free

Electrical data

Operating voltage [V] 10...30 DC

Protection class III

Operating conditions

Ambient temperature [°C] -25...90

Protection IP 67

Mechanical data

Materials TPU

Material nut brass, nickel-plated / brass, nickel-plated

Displays / operating elements

Display	switching status	1 x LED, yellow
	operation	1 x LED, green

Remarks

Pack quantity 1 pcs.

Electrical connection - plug

Connector: 1 x M8, straight; Moulded body: TPU; Locking: brass, nickel-plated

E10933



Connection cable

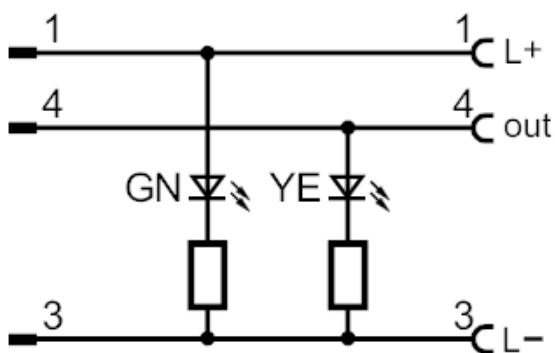
VDOAF032MSS0002H03STGF030MSS



Electrical connection

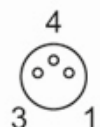
Cable: 2 m, Halogen-free; 3 x 0.34 mm²

Connection



Electrical connection - socket

Connector: 1 x M8, angled; Moulded body: TPU; Locking: brass, nickel-plated



Article no longer available - archive entry