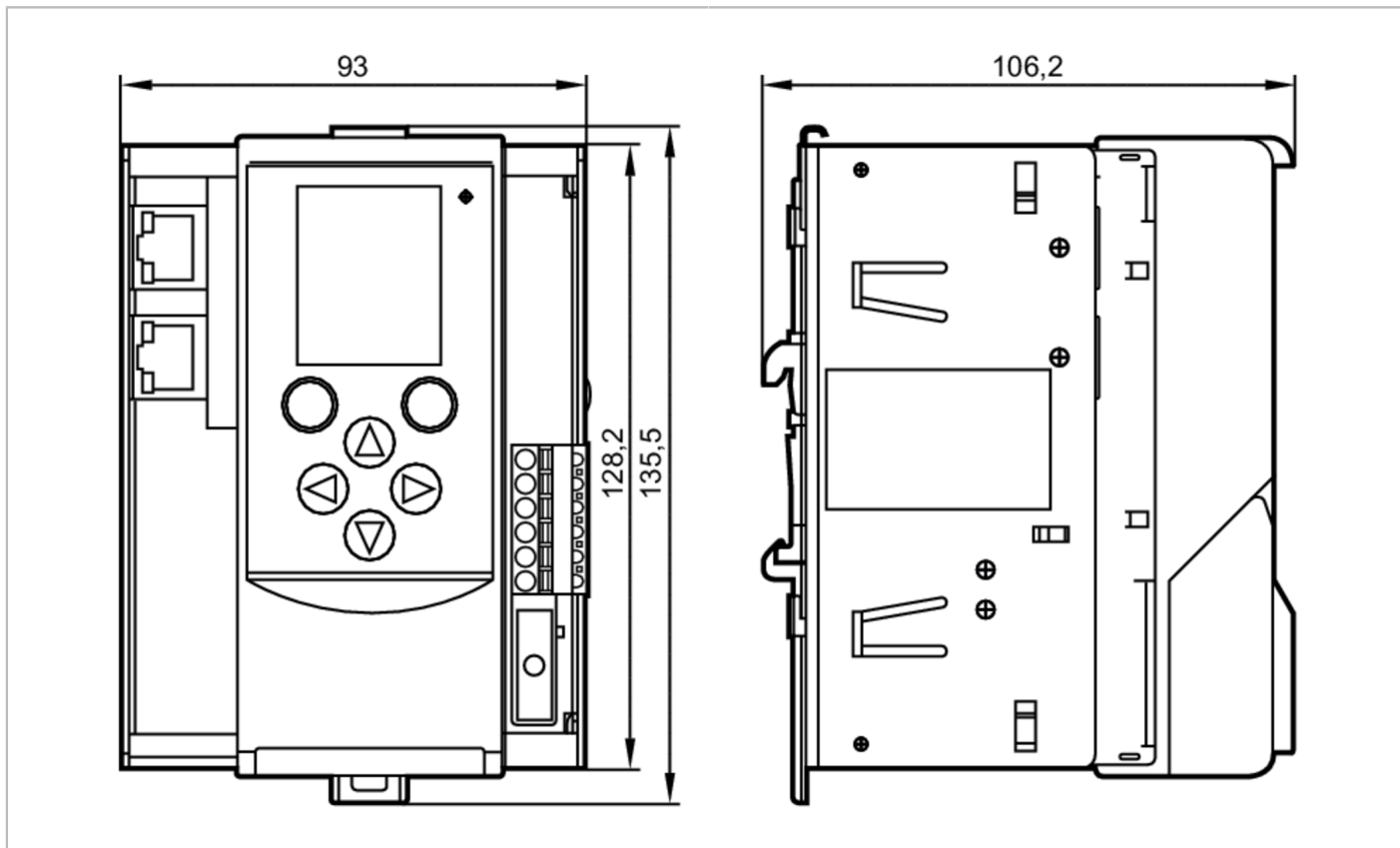


AC1401



AS-Interface PROFINET gateway

AS-i Gateway 1Master PN



Application	
Application	PROFINET gateway
Electrical data	
Operating voltage [V]	18...32 DC; (AUX; AS-i: 21...31,6 V DC)
Current consumption [mA]	< 500; (AUX / AS-i 1)
Max. current consumption from AS-i [mA]	500; (with external supply: 10 mA)
Number of AS-i masters	1
Electrical separation	yes
Outputs	
Voltage range DC [V]	to PELV
Interfaces	
Communication interface	Ethernet
Ethernet - Modbus TCP	
Transmission rate	10 MBaud; 100 MBaud
Connector type	RJ45
Protocol	Modbus TCP
Usage type	programming



AS-Interface PROFINET gateway

AS-i Gateway 1Master PN

Ethernet - PROFINET		
Transmission rate		100 MBaud
Connector type		RJ45
Protocol		PROFINET
Usage type		data transmission
Addition		<p>Device Class B</p>
Ethernet - TCP/IP		
Transmission rate		10 MBaud; 100 MBaud
Connector type		RJ45
Protocol		TCP/IP
Usage type		programming
Ethernet - UDP/IP		
Transmission rate		10 MBaud; 100 MBaud
Connector type		RJ45
Protocol		UDP/IP
Usage type		programming
Operating conditions		
Ambient temperature	[°C]	0...60
Storage temperature	[°C]	-20...70
Protection		IP 20
Tests / approvals		
MTTF	[years]	46
AS-i classification		
AS-i version		3.0
AS-i profile		M4
AS-i certificate		97301
Mechanical data		
Weight	[g]	706
Housing		housing for DIN rail mounting
Materials		aluminium powder-coated; steel sheet galvanised; PC
Displays / operating elements		
Display	function	1 x LED, red/green
		full graphic LCD display
Accessories		
Accessories (supplied)		terminals
Accessories (optional)		license: "CODESYS V3", E71400
Remarks		
Pack quantity		1 pcs.

AC1401



AS-Interface PROFINET gateway

AS-i Gateway 1Master PN

Electrical connection

terminals: ...2.5 mm²

Connection

