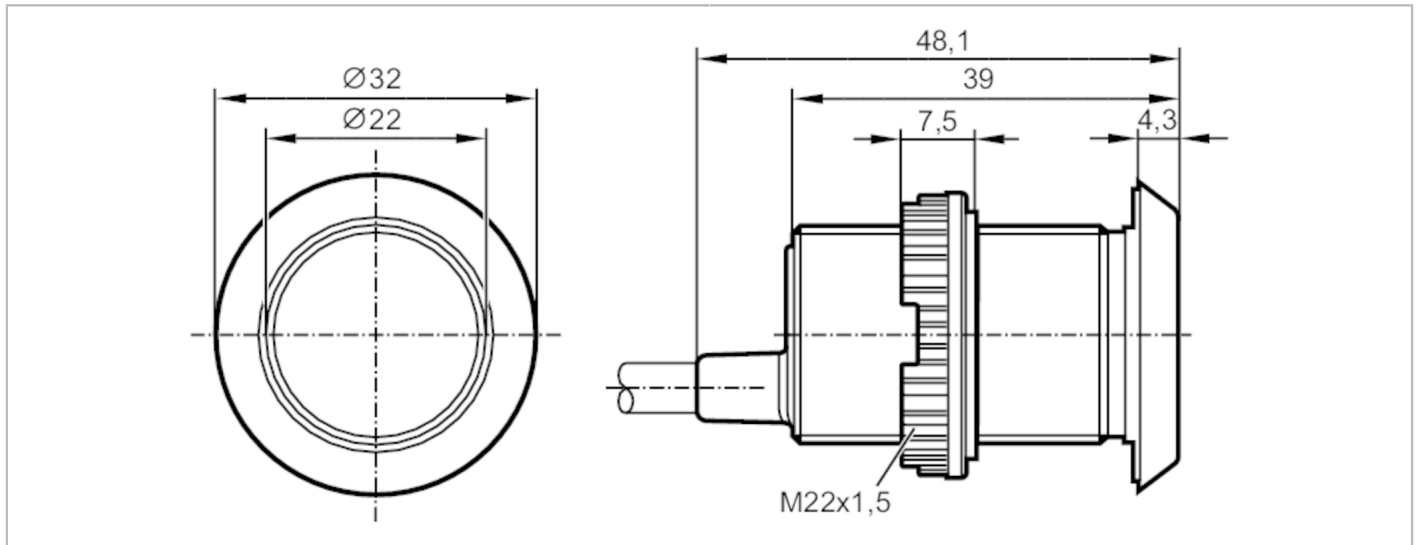


# KT6300



## Illuminated capacitive touch sensor

KTMEF-EMMFFKG/2m/IO



Product characteristics	
Electrical design	PNP/NPN
Output function	normally open / normally closed
Communication interface	IO-Link
Dimensions [mm]	Ø 32 / L = 39
Application	
Operating principle	dynamic; (static; bistable parameterisable)
Electrical data	
Operating voltage [V]	10...30 DC
Current consumption [mA]	30
Protection class	III
Reverse polarity protection	yes
Outputs	
Electrical design	PNP/NPN
Output function	normally open / normally closed
Permanent current rating of switching output DC [mA]	150
Short-circuit protection	yes
Overload protection	yes
Response times	
Response time [ms]	35
Software / programming	
Parameter setting options	normally open / normally closed; PnP/nPn; statisch / dynamisch / bistabil / Ein-Ausschaltverzögerung; brightness; Aktivierungs- Operations- Inputfarbe; Sensitivität
Interfaces	
Communication interface	IO-Link
Transmission type	COM2 (38,4 kBaud)
IO-Link revision	1.1

# KT6300



## Illuminated capacitive touch sensor

KTMEF-EMMFFKG/2m/IO

SDCI standard	IEC 61131-9	
Profiles	Smart Sensor: Type 0 Generic Profiled Sensor; Identification and Diagnosis; Fixed Switching Signal Channel	
SIO mode	yes	
Required master port type	A	
Process data analogue	1	
Process data binary	1	
Min. process cycle time [ms]	3.5	
Supported DeviceIDs	<b>Type of operation</b>	<b>DeviceID</b>
	default	1002

### Operating conditions

Ambient temperature [°C]	-20...80
Protection	IP 65; IP 67; IP 69K; (on the front)

### Tests / approvals

EMC	IEC 61000-4	
MTTF [years]		318

### Mechanical data

Weight [g]	119.5
Dimensions [mm]	Ø 32 / L = 39
Materials	housing: stainless steel (303/1.4305); active face: PA Grilamid TR 90UV

### Displays / operating elements

Display		1 x LED, blue / green / red / magenta / yellow / white / orange
	preset	
	switching status	green
	operation	-
	function	red

### Accessories

Items supplied	lock nuts: 1
	Gasket: 1
Accessories (optional)	symbol disc

### Remarks

Pack quantity	1 pcs.
---------------	--------

# KT6300



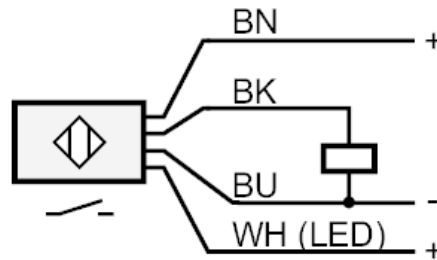
## Illuminated capacitive touch sensor

KTMEF-EMMFFKG/2m/IO

### Electrical connection

Cable: 2 m, PUR

### Connection



BK = IO-Link  
Core colours :  
BK = black  
BN = brown  
BU = blue  
WH = white  
function display can be activated via WH