

SN0106

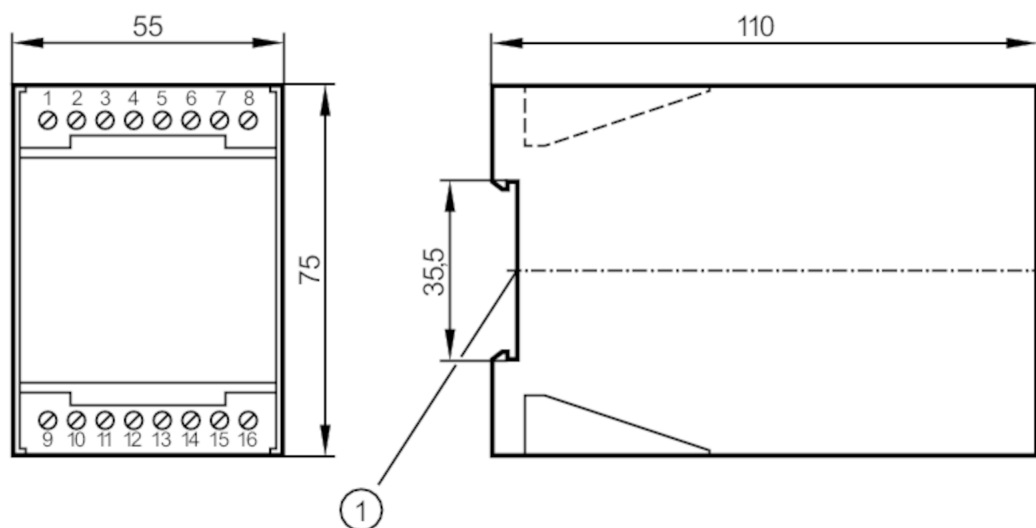


Control monitor for flow sensors

VS0200/230VAC/EX

Article no longer available - archive entry

replaced by: SN2301



1 mounting on DIN rail

Application

Application Flow monitoring; Wire monitoring

Electrical data

| | | |
|-----------------------------|-----|----------|
| Operating voltage tolerance | [%] | -10...10 |
| Operating voltage | [V] | < 230 AC |
| Power-on delay time | [s] | 30 |
| Number of channels | | 1 |

Outputs

| | |
|--|--|
| Electrical design | relay |
| Contact rating | 4 A, 250 V AC / cos phi > 07 |
| Switching function flow monitoring | relay energised when flow is present |
| Switching function wire break monitoring | relay de-energised in case of wire break |

Software / programming

| | |
|--------------------------------|---------------|
| Adjustment of the switch point | potentiometer |
| Selection liquids / gases | slide switch |

Operating conditions

| | | |
|-----------------------------|------|----------|
| Ambient temperature | [°C] | -20...60 |
| Protection | | IP 40 |
| Protection rating terminals | | IP 20 |

Tests / approvals

| | |
|----------|----------------------------------|
| Approval | PTB-Zulassungs-Nr. Ex-94.C.2030X |
|----------|----------------------------------|

SN0106



Control monitor for flow sensors

VS0200/230VAC/EX

| Safety classification | | |
|-------------------------------|---|----------|
| Designation | in protection rating intrinsic safety | |
| Voltage [V] | 15,8 | |
| Current [mA] | 228 | |
| Power [mW] | 1410 | |
| [Ex ia] IIC designation | [EEx ia] IIC | |
| [Ex ia] IIB designation | [EEx ia] IIB | |
| [Ex ib] IIC designation | [EEx ib] IIC | |
| [Ex ib] IIB designation | [EEx ib] IIB | |
| [Ex ia] IIC inductance | 350µH | |
| [Ex ia] IIB inductance | 1mH / 2mH | |
| [Ex ib] IIC inductance | 350µH | |
| [Ex ib] IIB inductance | 3.1mH | |
| [Ex ia] IIC capacitance | 57nF | |
| [Ex ia] IIB capacitance | 493nF / 294nF | |
| [Ex ib] IIC capacitance | 477nF | |
| [Ex ib] IIB capacitance | 1.9µF | |
| Mechanical data | | |
| Housing | housing for DIN rail mounting | |
| Dimensions [mm] | 75 x 55 x 110 | |
| Materials | plastics | |
| Displays / operating elements | | |
| Display | function | 11 x LED |
| | switching status | LED, red |
| Remarks | | |
| Remarks | Caution The control monitor must be mounted outside the hazardous area. | |
| Pack quantity | 1 pcs. | |

SN0106



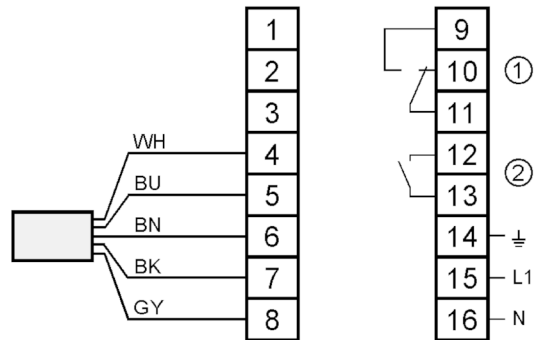
Control monitor for flow sensors

VS0200/230VAC/EX

Electrical connection

terminals: 16 x ...2.5 mm²

Connection



1: Relais Flow monitoring

2: Relais Wire monitoring

Core colours :

BN = brown

BU = blue

BK = black

WH = white

GY = grey

Article no longer available - archive entry

replaced by: SN2301