

# SN0101

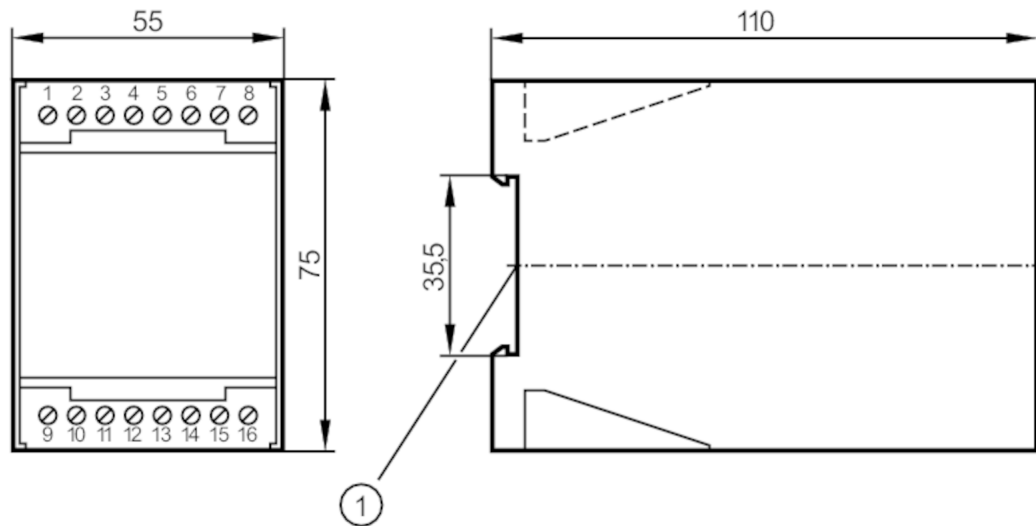


## Control monitor for flow sensors

VS0200/230VAC

Article no longer available - archive entry

replaced by: SN0150



1 mounting on DIN rail



Application	
Application	Flow monitoring; Temperature monitoring
Electrical data	
Operating voltage tolerance [%]	-10...10
Operating voltage [V]	< 230 AC
Power-on delay time [s]	30
Number of channels	1
Outputs	
Electrical design	relay
Contact rating	4 A, 250 V AC
Switching function flow monitoring	relay energised when flow is present
Switching function temperature monitoring	relay energised when temperature is exceeded
Software / programming	
Adjustment of the switch point	potentiometer
Selection liquids / gases	slide switch
Switch point setting	potentiometer
Temperature range [°C]	20...80
Repeatability of the set switch point [K]	4

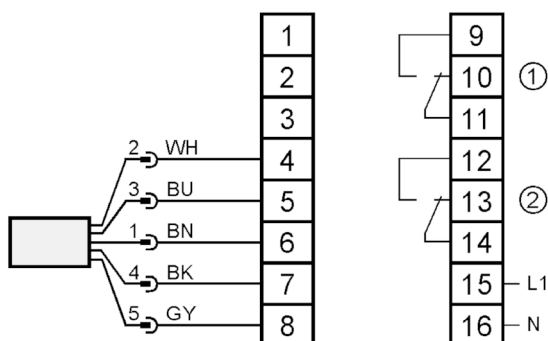
# SN0101



## Control monitor for flow sensors

VS0200/230VAC

Operating conditions		
Ambient temperature	[°C]	0...60
Protection		IP 40
Protection rating terminals		IP 20
Mechanical data		
Housing		housing for DIN rail mounting
Dimensions	[mm]	75 x 55 x 110
Materials		plastics
Displays / operating elements		
Display	function	11 x LED
	switching status	LED, red
Remarks		
Pack quantity		1 pcs.
Electrical connection		
terminals: 16 x ...2.5 mm <sup>2</sup>		
Connection		



- 1: Temperature monitoring  
2: Wire monitoring  
Core colours :  
BN = brown  
BU = blue  
BK = black  
WH = white  
GY = grey

Article no longer available - archive entry

replaced by: SN0150