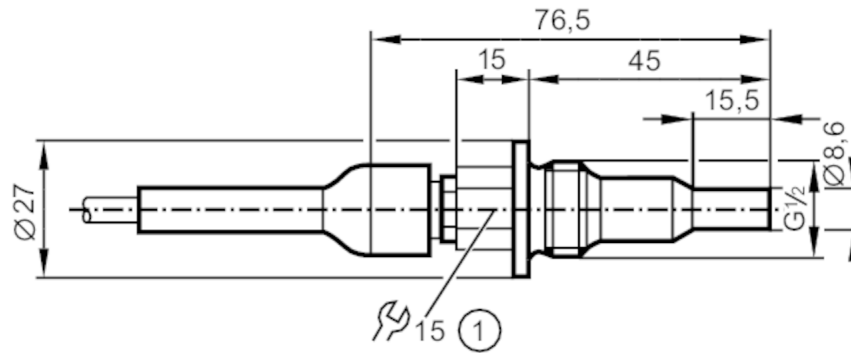


SF323A



Flow sensor for connection to an evaluation unit

SFR12XBK/2G /6M



1 tightening torque max. 30 Nm



Product characteristics

Probe length L	[mm]	30
Process connection		G 1/2 external thread

Application

Media		Liquids; aggressive media
Medium temperature	[°C]	5...70
Pressure rating	[bar]	30

Liquids

Medium temperature	[°C]	5...70
--------------------	------	--------

Electrical data

Connection to control monitor		VS2000 Exi (PTB 01 ATEX 2075)
-------------------------------	--	-------------------------------

Measuring/setting range

Probe length L	[mm]	30
Liquids		
Setting range	[cm/s]	3...60
Greatest sensitivity	[cm/s]	3...40

Accuracy / deviations

Temperature gradient	[K/min]	7
----------------------	---------	---

Response times

Response time	[s]	2...20
---------------	-----	--------

Liquids

Response time	[s]	2...20
---------------	-----	--------

Operating conditions


Ambient temperature	[°C]	-20...70
Protection		IP 67

SF323A



Flow sensor for connection to an evaluation unit

SFR12XBK/2G /6M

Tests / approvals	
Approval	DMT 03 ATEX E091; IECEX BVS 06.0007
ATEX marking	 II 2G Ex ia IIC T4 Gb
Shock resistance	DIN IEC 68-2-27 40 g (11 ms)
Vibration resistance	DIN IEC 68-2-6 10 g (55...2000 Hz)
MTTF [years]	7927
Safety classification	
Max. internal capacitance [nF]	1.2
Max. internal inductance [μH]	6
Temperature class	T4
Mechanical data	
Weight [g]	357.5
Housing	threaded type
Materials	ceramics (99.7 % Al ₂ O ₃)
Materials (wetted parts)	ceramics (99.7 % Al ₂ O ₃)
Process connection	G 1/2 external thread
Installation length EL [mm]	45
Remarks	
Remarks	In principle, the type test according to 94/9/EC (ATEX) only takes atmospheric conditions into account (0.8...1.1 bar). For pressures outside this range use must be assessed and approved by the user. Adhere to the operating instructions and the type test certificate.
Pack quantity	1 pcs.

SF323A



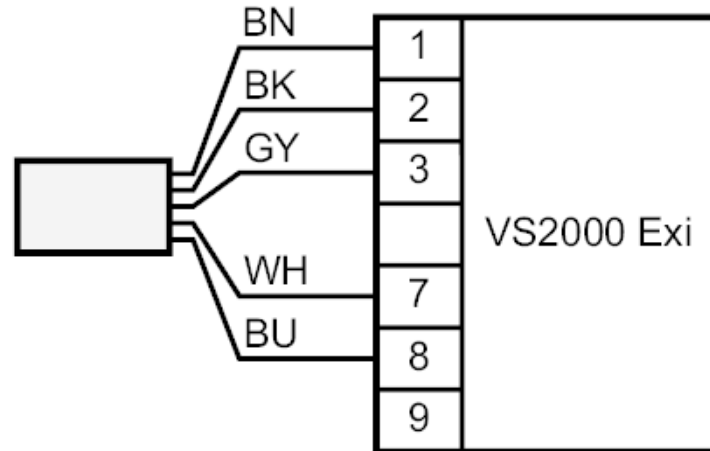
Flow sensor for connection to an evaluation unit

SFR12XBK/2G /6M

Electrical connection

Cable: 6 m, TPE-S; Maximum cable length: 100 m; 5 x 0.34 mm²

Connection



Core colours :

BN =	brown
BU =	blue
BK =	black
WH =	white
GY =	grey