

# SF3407

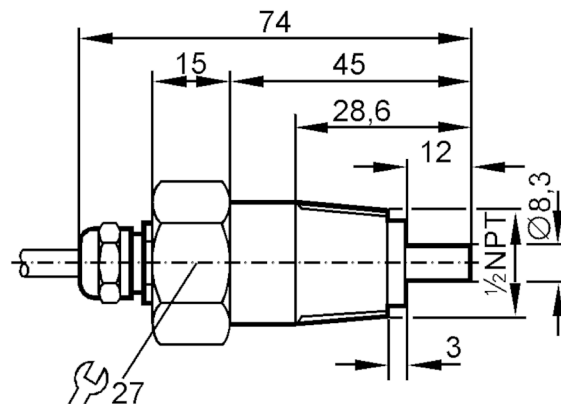


## Flow sensor for connection to an evaluation unit

SFN12AAC

Article no longer available - archive entry

replaced by: SF5800 + E40127



| Application                   |                           |
|-------------------------------|---------------------------|
| Media                         | Liquids; aggressive media |
| Medium temperature [°C]       | -25...80                  |
| Pressure rating [bar]         | 5                         |
| Liquids                       |                           |
| Medium temperature [°C]       | -25...80                  |
| Electrical data               |                           |
| Connection to control monitor | VS 0200                   |
| Measuring/setting range       |                           |
| Liquids                       |                           |
| Setting range [cm/s]          | 0...60                    |
| Greatest sensitivity [cm/s]   | 0...20                    |
| Accuracy / deviations         |                           |
| Temperature gradient [K/min]  | 15                        |
| Response times                |                           |
| Response time [s]             | 2...20                    |
| Liquids                       |                           |
| Response time [s]             | 2...20                    |
| Operating conditions          |                           |
| Protection                    | IP 67                     |

# SF3407



## Flow sensor for connection to an evaluation unit

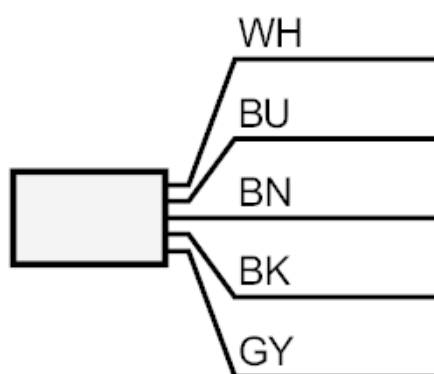
SFN12AAC

| Mechanical data          |               |
|--------------------------|---------------|
| Housing                  | threaded type |
| Materials                | PTFE          |
| Materials (wetted parts) | PTFE          |
| Process connection       | 1/2 NPT       |

| Remarks       |        |
|---------------|--------|
| Pack quantity | 1 pcs. |

**Electrical connection**  
Cable: 6 m, PUR; Maximum cable length: 100 m; 5 x 0.34 mm<sup>2</sup>

### Connection



|      |                |
|------|----------------|
|      | Core colours : |
| BN = | brown          |
| BU = | blue           |
| BK = | black          |
| WH = | white          |
| GY = | grey           |

Article no longer available - archive entry

replaced by: SF5800 + E40127