

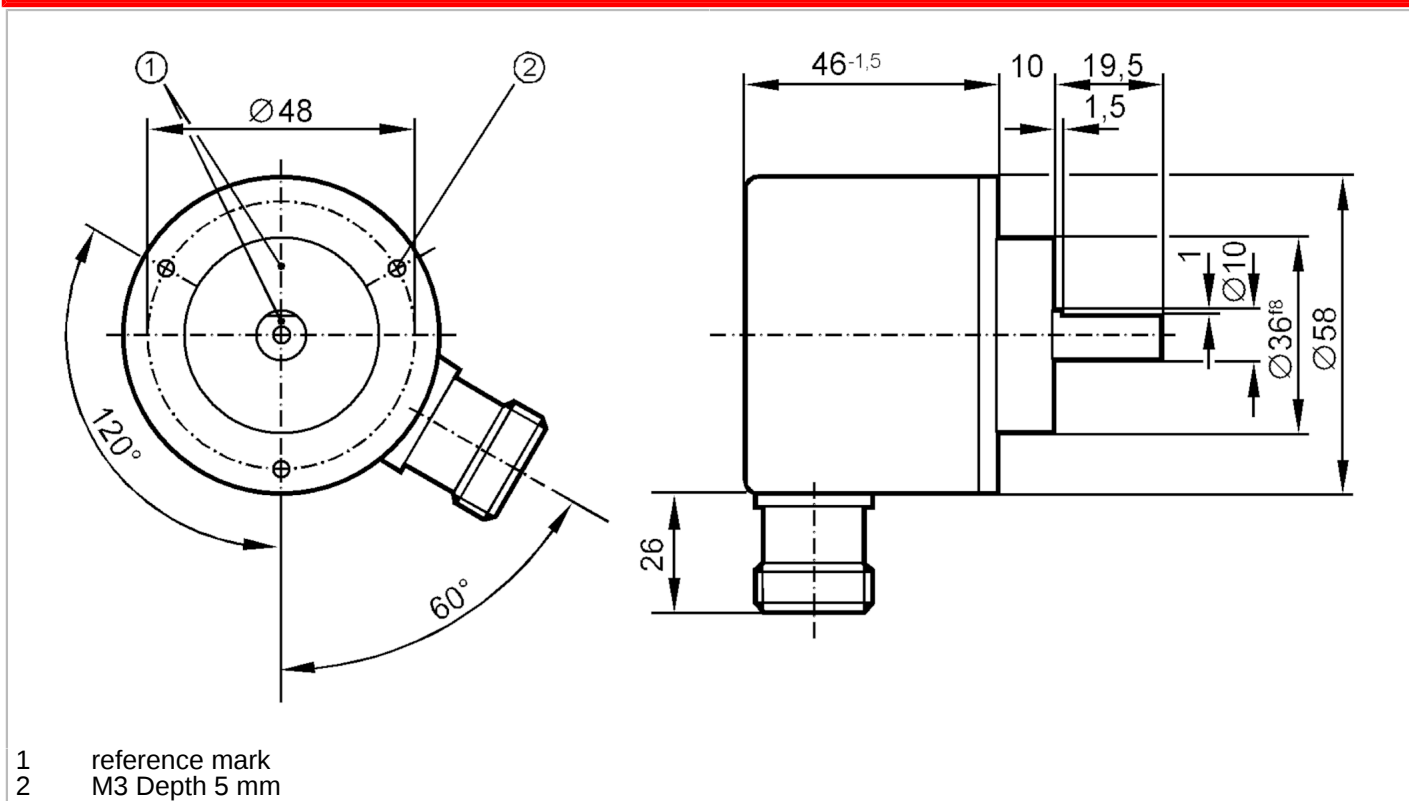
RV1059



Incremental encoder with solid shaft

RV-0800-I05/K

Article no longer available - archive entry



Product characteristics

| | |
|---------------------|----------------|
| Resolution | 800 resolution |
| Shaft design | solid shaft |
| Shaft diameter [mm] | 10 |

Electrical data

| | |
|---------------------------------|------|
| Operating voltage tolerance [%] | 10 |
| Operating voltage [V] | 5 DC |
| Current consumption [mA] | 150 |

Outputs

| | |
|-----------------------------------|-----|
| Electrical design | TTL |
| Max. current load per output [mA] | 20 |
| Switching frequency [kHz] | 300 |
| Phase difference A and B [°] | 90 |

Measuring/setting range

| | |
|------------|----------------|
| Resolution | 800 resolution |
|------------|----------------|

Operating conditions

| | |
|--------------------------------|-----------|
| Ambient temperature [°C] | -30...100 |
| Storage temperature [°C] | -30...100 |
| Max. relative air humidity [%] | 98 |
| Protection | IP 64 |

RV1059



Incremental encoder with solid shaft

RV-0800-105/K

Tests / approvals

| | | |
|----------------------|--|---------------------|
| Shock resistance | | 100 g (6 ms) |
| Vibration resistance | | 15 g (55...2000 Hz) |

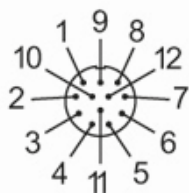
Mechanical data

| | |
|---|-----------------|
| Dimensions [mm] | Ø 58 / L = 75.5 |
| Materials | aluminium |
| Max. revolution, mechanical [U/min] | 12000 |
| Max. starting torque [Nm] | 1 |
| Reference temperature torque [°C] | 20 |
| Shaft design | solid shaft |
| Shaft diameter [mm] | 10 |
| Shaft material | steel (1.4104) |
| Max. shaft load axial (at the shaft end) [N] | 10 |
| Max. shaft load radial (at the shaft end) [N] | 20 |

Electrical connection

| | |
|--------|------------------|
| 1 | B inverted |
| 2 | L+ sensor |
| 3 | 0 index |
| 4 | 0 index inverted |
| 5 | A |
| 6 | A inverted |
| screen | housing |
| 7 | failure inverted |
| 8 | B |
| 9 | n.c. |
| 10 | 0V (Un) |
| 11 | 0V sensor |
| 12 | L+ |

Connector: 1 x M23 (ifm 1001.4), radial



RV1059

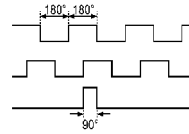


Incremental encoder with solid shaft

RV-0800-105/K

Diagrams and graphs

Pulse diagram



Output A

Output B

0 index

Article no longer available - archive entry