

RO6343

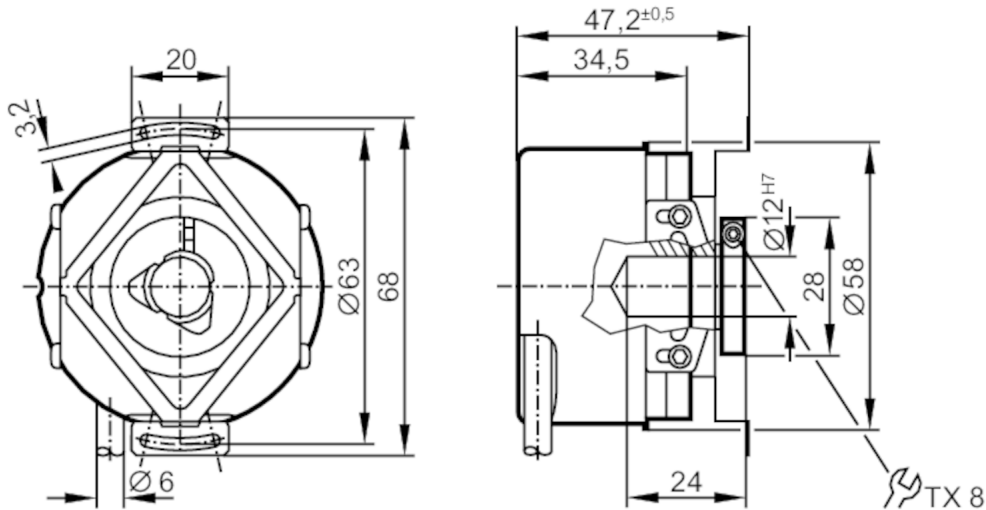


Incremental encoder with hollow shaft

RO-0360-I24/N1U

Article no longer available - archive entry

Alternative article: ROP521 + E12402 When selecting an alternative article and accessories please note that technical data may differ! – When selecting an alternative article and accessories please note that technical data may differ! – Discontinuation date: 31.03.2016



Product characteristics

Resolution	360 resolution
Shaft design	hollow shaft open to one side
Shaft diameter [mm]	12

Application

Function principle	incremental
--------------------	-------------

Electrical data

Operating voltage [V]	10...30 DC
Current consumption [mA]	< 150

Outputs

Electrical design	HTL
Max. current load per output [mA]	50
Switching frequency [kHz]	300
Type of short-circuit protection	< 60 s
Phase difference A and B [°]	90

Measuring/setting range

Resolution	360 resolution
------------	----------------

Operating conditions

Ambient temperature [°C]	-40...100
Max. relative air humidity [%]	98
Protection	IP 64; (on the housing: IP 67; on the shaft: IP 64)

RO6343



Incremental encoder with hollow shaft

RO-0360-I24/N1U

Tests / approvals

Shock resistance		200 g
Vibration resistance		30 g
MTTF	[years]	190

Mechanical data

Weight	[g]	454.2
Dimensions	[mm]	Ø 58 / L = 35.5
Materials		aluminium
Max. revolution, mechanical	[U/min]	12000
Max. starting torque	[Nm]	1
Reference temperature torque	[°C]	20
Shaft design		hollow shaft open to one side
Shaft diameter	[mm]	12
Shaft fit		H7
Shaft material		stainless steel
Installation depth of shaft	[mm]	10
Max. axial shaft misalignment	[mm]	1; (max. radial shaft alignment: ± 0,05 mm)

Remarks

Notes	discontinued article
-------	----------------------

Electrical connection

Cable: 1 m, PUR; Maximum cable length: 300 m; radial, can also be used axially

brown	A
green	A inverted
grey	B
pink	B inverted
red	0 index
black	0 index inverted
blue	L+ sensor
white	0V sensor
brown/green	L+ (Up)
white/green	0V (Un)
screen	housing
lilac	failure inverted

Diagrams and graphs

Pulse diagram

Output A
Output B
0 index

RO6343

Incremental encoder with hollow shaft

RO-0360-I24/N1U



Article no longer available - archive entry

Alternative article: ROP521 + E12402 When selecting an alternative article and accessories please note that technical data may differ! – When selecting an alternative article and accessories please note that technical data may differ! – Discontinuation date: 31.03.2016