

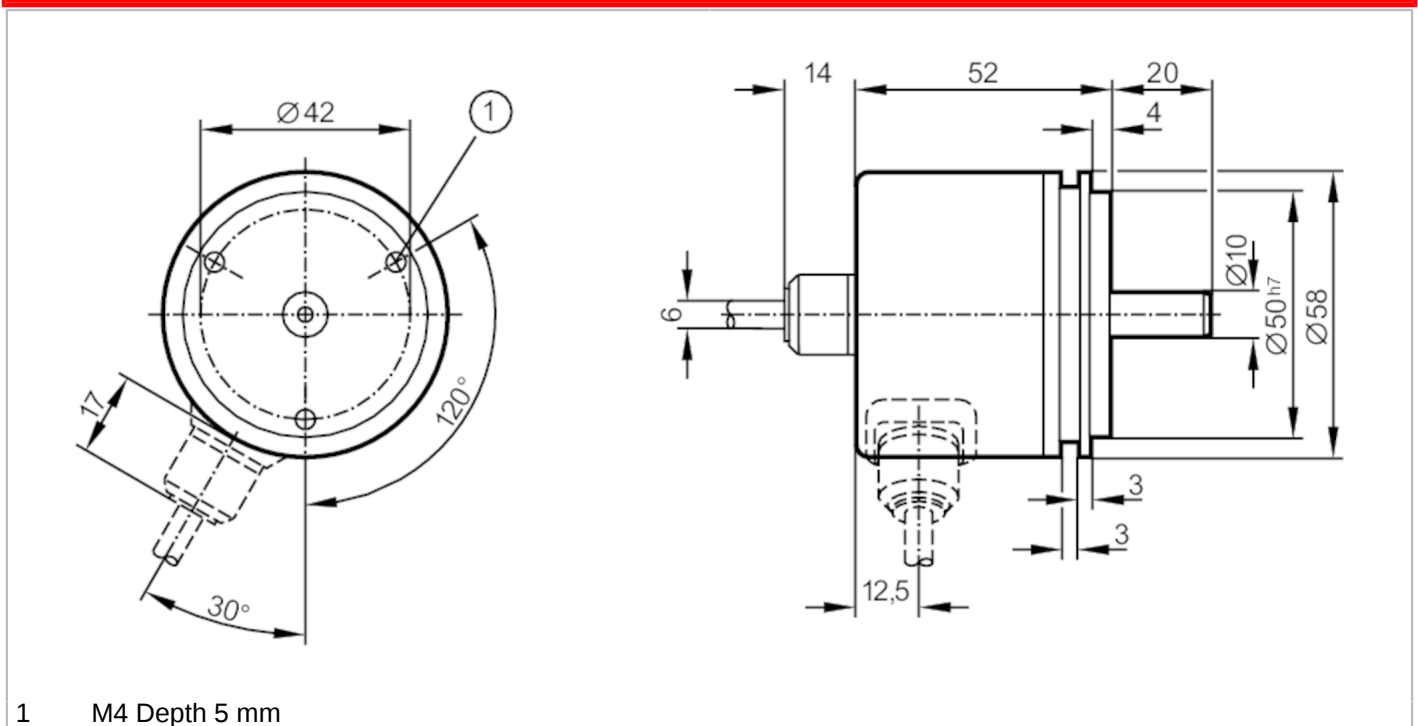
RN6010



Absolute singleturn encoder with solid shaft

RN-0360-G24/L1B

Article no longer available - archive entry



Product characteristics	
Resolution	360 steps; 9 bit
Shaft design	solid shaft
Shaft diameter [mm]	10
Electrical data	
Operating voltage [V]	10...30 DC
Current consumption [mA]	< 150
Max. revolution electrical [U/min]	6000
Outputs	
Electrical design	HTL
Max. current load per output [mA]	20
Code	Gray code; (increasing code values when turned clockwise (seen on the shaft))
Measuring/setting range	
Resolution	360 steps; 9 bit
Operating conditions	
Ambient temperature [°C]	-20...85
Storage temperature [°C]	-30...100
Max. relative air humidity [%]	98
Protection	IP 64

RN6010



Absolute singleturn encoder with solid shaft

RN-0360-G24/L1B

Tests / approvals		
Shock resistance		100 g (6 ms)
Vibration resistance		10 g (55...2000 Hz)
MTTF	[years]	46
Mechanical data		
Dimensions	[mm]	Ø 58 / L = 52
Materials		aluminium
Max. revolution, mechanical	[U/min]	10000
Max. starting torque	[Nm]	1
Reference temperature torque	[°C]	20
Shaft design		solid shaft
Shaft diameter	[mm]	10
Shaft material		steel (1.4104)
Max. shaft load axial (at the shaft end)	[N]	10
Max. shaft load radial (at the shaft end)	[N]	20
Electrical connection		
Cable: 1 m, PUR; Maximum cable length: 100 m; axial		
brown	10...30V	
yellow/brown	10...30V sensor	
white	0V	
white/yellow	0V sensor	
green	release A inverted 5...30V	
yellow	release B inverted 5...30V	
white/grey	bit 9 (MSB) inverted	
brown/green	bit 9 (MSB)	
white/green	bit 8	
red/blue	bit 7	
grey/pink	bit 6	
lilac	bit 5	
black	bit 4	
red	bit 3	
blue	bit 2	
pink	bit 1	
Screen	housing	

RN6010

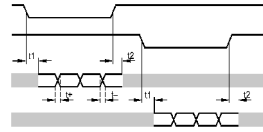


Absolute singleturn encoder with solid shaft

RN-0360-G24/L1B

Diagrams and graphs

Pulse diagram



release A inverted

release B inverted

tracks 3...10

tracks 1...2

Article no longer available - archive entry