

PN8052

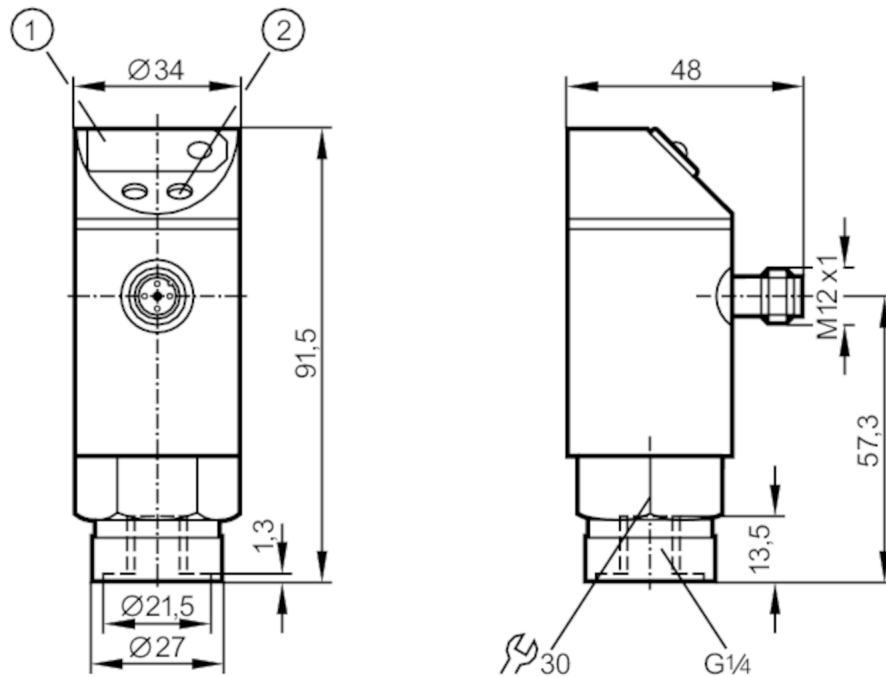


Pressure sensor with display

PN-100-SDR14-KFPKG/US/ IV

Article no longer available - archive entry

replaced by: PE3002



- 1 7-segment LED display
- 2 programming button



Application

Media	liquids and gases
Conditionally suitable for	For gaseous media the application is limited to max. 25 bar.
Medium temperature [°C]	-25...80
Pressure rating [bar]	300
Min. bursting pressure [bar]	650
Type of pressure	relative pressure

Electrical data

Operating voltage [V]	20...30 DC
Current consumption [mA]	< 60
Reverse polarity protection	yes
Power-on delay time [s]	0.2
Integrated watchdog	yes

Inputs / outputs

Number of inputs and outputs	Number of digital outputs: 1; Number of analogue outputs: 1
------------------------------	---

PN8052



Pressure sensor with display

PN-100-SDR14-KFPKG/US/ IV

Outputs																	
Total number of outputs	2																
Output signal	switching signal; analogue signal; (configurable)																
Electrical design	PNP																
Number of digital outputs	1																
Max. voltage drop switching output DC [V]	2																
Permanent current rating of switching output DC [mA]	250																
Number of analogue outputs	1																
Analogue current output [mA]	4...20																
Max. load [Ω]	500																
Short-circuit protection	yes																
Type of short-circuit protection	pulsed																
Overload protection	yes																
Measuring/setting range																	
Measuring range [bar]	0...100																
Set point SP [bar]	5...100																
Reset point rP [bar]	3...98																
In steps of [bar]	1																
Accuracy / deviations																	
Repeatability [% of the final value]	< $\pm 0,25$; (with temperature fluctuations < 10 K)																
Characteristics deviation [% of the final value]	< $\pm 2,0$																
Temperature drift per 10 K	< ± 0.3																
Response times																	
Switching frequency for a given set response time of one output	<table border="1"> <thead> <tr> <th>Ansprechzeit (dAP) [ms]</th> <th>15</th> <th>20</th> <th>30</th> <th>50</th> <th>90</th> <th>170</th> <th>330</th> </tr> </thead> <tbody> <tr> <td>Schaltfrequenz [Hz]</td> <td>50</td> <td>35</td> <td>30</td> <td>20</td> <td>15</td> <td>9</td> <td>5</td> </tr> </tbody> </table>	Ansprechzeit (dAP) [ms]	15	20	30	50	90	170	330	Schaltfrequenz [Hz]	50	35	30	20	15	9	5
	Ansprechzeit (dAP) [ms]	15	20	30	50	90	170	330									
Schaltfrequenz [Hz]	50	35	30	20	15	9	5										
Response time [ms]	at rectangular pressure characteristic; switch point (SPx) = 70 %; reset point (rPx) = 30 %																
Delay time programmable dS, dr [s]	0, 0,2, 0,4,...3																
Software / programming																	
Adjustment of the switch point	programming button																
Operating conditions																	
Ambient temperature [$^{\circ}\text{C}$]	-25...80																
Storage temperature [$^{\circ}\text{C}$]	-40...100																
Protection	IP 67																

PN8052



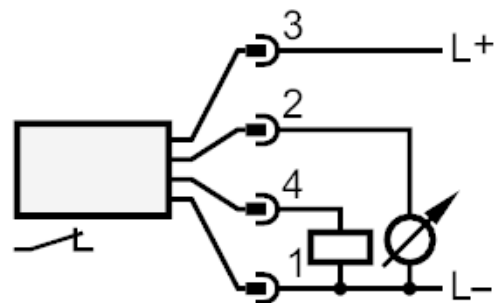
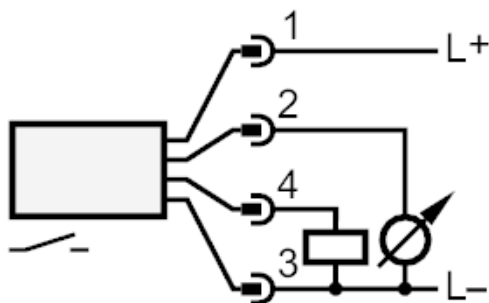
Pressure sensor with display

PN-100-SDR14-KFPKG/US/ IV

Tests / approvals		
EMC	IEC 801/2 ESD	4 kV CD / 8 kV AD
	IEC 801/3 HF	10 V/m
	IEC 801/4 Burst	2 kV
Shock resistance	DIN IEC 68-2-27	50 g (11 ms)
Vibration resistance	DIN IEC 68-2-6	20 g (10...2000 Hz)
Mechanical data		
Materials	stainless steel (1.4404 / 316L); PBT; PC; NBR; EPDM/X; FKM	
Materials (wetted parts)	stainless steel (1.4571/316Ti); ceramics; FKM	
Min. pressure cycles	100 million	
Process connection	threaded connection G 1/4 internal thread	
Displays / operating elements		
Display	switching status	LED, red
	function display	7-segment LED display
	measured values	7-segment LED display
Remarks		
Pack quantity	1 pcs.	

Electrical connection

Connector: 1 x M12



Article no longer available - archive entry

replaced by: PE3002