

PI3053

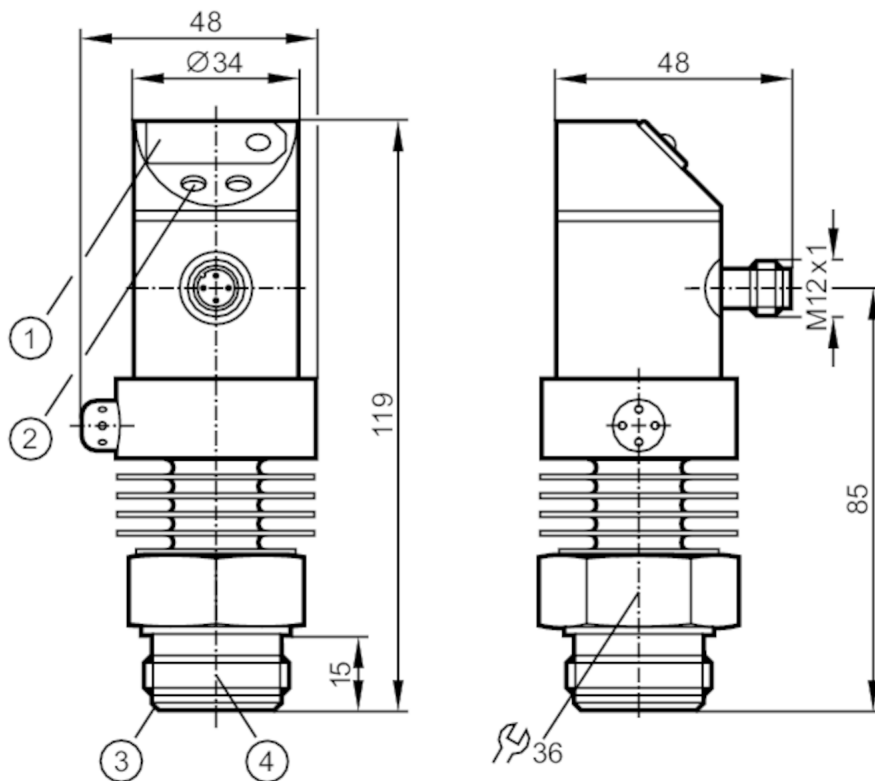


Flush pressure sensor with display

PI-025-RES30-KFPKG/US/.../P

Article no longer available - archive entry

Alternative article: PI2053 When selecting an alternative article and accessories please note that technical data may differ! – When selecting an alternative article and accessories please note that technical data may differ!



- 1 7-segment LED display
- 2 programming button
- 3 Aseptoflex sealing edge
- 4 Aseptoflex thread



Application	
Application	hygienic systems
Installation	freely rotatable housing 350°
Media	viscous media and liquids with suspended particles; liquids and gases
Medium temperature [°C]	-25...125; (145 max 1h)
Pressure rating [bar]	100
Min. bursting pressure [bar]	350
Type of pressure	relative pressure
No dead space	yes



Flush pressure sensor with display

PI-025-RES30-KFPKG/US/.../P

Electrical data		
Operating voltage	[V]	20...30 DC
Current consumption	[mA]	< 60
Min. insulation resistance	[MΩ]	100; (500 V DC)
Protection class		III
Reverse polarity protection		yes
Power-on delay time	[s]	0.2
Integrated watchdog		yes
Inputs / outputs		
Number of inputs and outputs		Number of digital outputs: 1; Number of analogue outputs: 1
Outputs		
Total number of outputs		2
Output signal		switching signal; analogue signal; (configurable)
Electrical design		PNP
Number of digital outputs		1
Max. voltage drop switching output DC	[V]	2
Permanent current rating of switching output DC	[mA]	250
Number of analogue outputs		1
Analogue current output	[mA]	4...20
Max. load	[Ω]	500
Short-circuit protection		yes
Type of short-circuit protection		pulsed
Overload protection		yes
Measuring/setting range		
Measuring range	[bar]	0...25
Set point SP	[bar]	0.2...25
Reset point rP	[bar]	0.1...24.8
In steps of	[bar]	0.1
Accuracy / deviations		
Switch point accuracy	[% of the final value]	< ± 1,5
Repeatability	[% of the final value]	< ± 0,25; (with temperature fluctuations < 10 K)
Characteristics deviation	[% of the final value]	< ± 1,0
Temperature drift per 10 K		< ± 0.3

PI3053



Flush pressure sensor with display

PI-025-RES30-KFPKG/US/.../P

Response times										
Switching frequency for a given set response time of one output	\$Ansprechzeit (dAP) [ms]	3	6	10	17	30	60	125	250	500
	\$Schaltfrequenz [Hz]	170	80	50	30	16	8	4	2	1
Response time [ms]	at rectangular pressure characteristic; switch point (SPx) = 70 %; reset point (rPx) = 30 %									
Delay time programmable dS, dr [s]	0, 0,2,...10, 11,...50									
Max. response time analogue output [ms]	3									

Software / programming	
Adjustment of the switch point	programming button
Parameter setting options	hysteresis / window; normally open / normally closed; switch-on/switch-off delay; Damping

Operating conditions	
Ambient temperature [°C]	-25...80
Storage temperature [°C]	-40...100
Protection	IP 67

Tests / approvals		
EMC	EN 61000-4-2 ESD	4 kV CD / 8 kV AD
	EN 61000-4-3 HF radiated	10 V/m
	EN 61000-4-4 Burst	2 kV
	EN 61000-4-6 HF conducted	10 V
Shock resistance	DIN IEC 68-2-27	50 g (11 ms)
Vibration resistance	DIN IEC 68-2-6	20 g (10...2000 Hz)

Mechanical data	
Materials	stainless steel (1.4404 / 316L); PBT; PC; PA; EPDM/X; FKM
Materials (wetted parts)	stainless steel (1.4404 / 316L); ceramics; PTFE
Min. pressure cycles	100 million
Process connection	threaded connection Aseptoflex external thread Aseptoflex

Displays / operating elements		
Display	switching status	LED, red
	function display	7-segment LED display
	measured values	7-segment LED display

Remarks	
Pack quantity	1 pcs.

Electrical connection

Connector: 1 x M12; Contacts: gold-plated



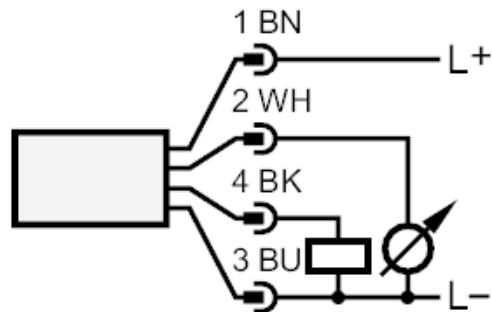
PI3053



Flush pressure sensor with display

PI-025-RES30-KFPKG/US/.../P

Connection



Article no longer available - archive entry

Alternative article: PI2053 When selecting an alternative article and accessories please note that technical data may differ! – When selecting an alternative article and accessories please note that technical data may differ!