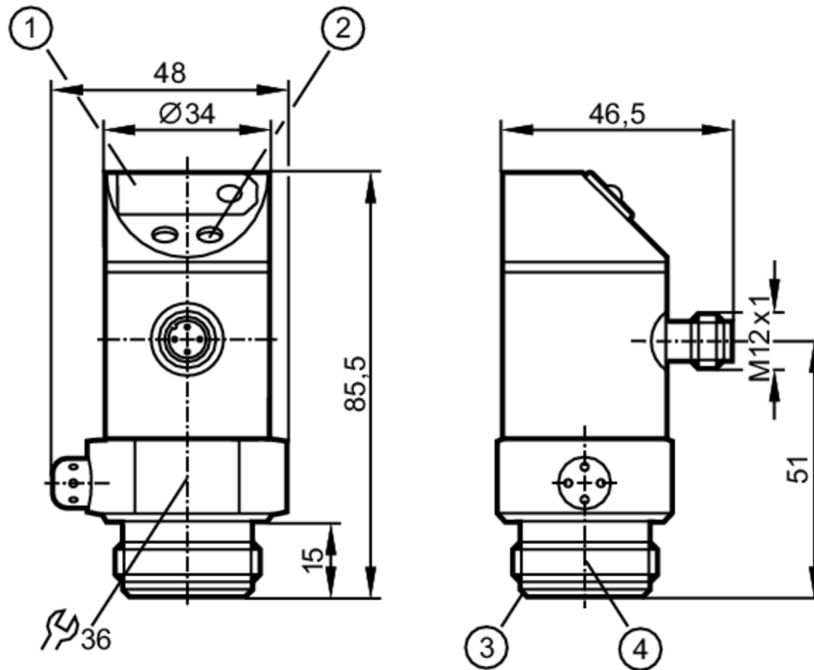


PF2053



Flush pressure sensor

PF-025-RES30-MFRKG/US/ IP



- 1 7-segment LED display
- 2 programming button
- 3 Aseptoflex sealing edge
- 4 Aseptoflex thread



EC 1935/2004 EHEDG Certified FCM FDA

Application

Application	hygienic systems		
Installation	freely rotatable housing 350°		
Media	viscous media and liquids with suspended particles; liquids and gases		
Medium temperature [°C]	-25...80		
Pressure rating	100 bar	1450 psi	10 MPa
Min. bursting pressure	350 bar	5070 psi	35 MPa
Type of pressure	relative pressure		
No dead space	yes		

Electrical data

Operating voltage [V]	20...30 DC
Current consumption [mA]	< 60
Min. insulation resistance [MΩ]	100; (500 V DC)
Protection class	III
Reverse polarity protection	yes
Power-on delay time [s]	0.2
Integrated watchdog	yes

Inputs / outputs

Number of inputs and outputs	Number of digital outputs: 2; Number of analogue outputs: 1
------------------------------	---

PF2053



Flush pressure sensor

PF-025-RES30-MFRKG/US/ /P

Outputs			
Total number of outputs		2	
Output signal		switching signal; analogue signal; (configurable)	
Electrical design		PNP/NPN	
Number of digital outputs		2	
Output function		normally open / normally closed; (parameterisable)	
Max. voltage drop switching output DC	[V]	2	
Permanent current rating of switching output DC	[mA]	250	
Switching frequency DC	[Hz]	< 170	
Number of analogue outputs		1	
Analogue current output	[mA]	4...20; (scalable 1:4)	
Max. load	[Ω]	(U _b - 10 V) / 20 mA	
Analogue voltage output	[V]	0...10; (scalable 1:4)	
Min. load resistance	[Ω]	2000	
Short-circuit protection		yes	
Type of short-circuit protection		pulsed	
Overload protection		yes	
Measuring/setting range			
Measuring range		-1...25 bar	-15...363 psi
Set point SP		-0.8...25 bar	-12...363 psi
Reset point rP		-0.9...24.9 bar	-13...362 psi
Analogue start point		-1...18.8 bar	-15...272 psi
Analogue end point		5.3...25 bar	76...363 psi
In steps of		0.1 bar	1 psi
Factory setting			SP1 = 6.3 bar
			ASP = 0.0 bar
			rP1 = 5.8 bar
			AEP = 25.0 bar
Accuracy / deviations			
Repeatability	[% of the span]	< ± 0,1; (with temperature fluctuations < 10 K; Turn down 1:1)	
Characteristics deviation	[% of the span]	< ± 0,6; (Turn down 1:1 linearity, incl. hysteresis and repeatability limit value setting to DIN 16086)	
Linearity deviation	[% of the span]	< ± 0,5; (Turn down 1:1)	
Hysteresis deviation	[% of the span]	< ± 0,1; (Turn down 1:1)	
Long-term stability	[% of the span]	< ± 0,1; (Turn down 1:1; per year)	
Temperature coefficient zero point	[% of the span / 10 K]	< ± 0,1; (0...80 °C)	
Temperature coefficient span	[% of the span / 10 K]	< ± 0,2; (0...80 °C)	

PF2053



Flush pressure sensor

PF-025-RES30-MFRKG/US/ /P

Response times		
Response time	[ms]	< 3
Damping for the switching output dAP	[s]	0...4
Damping for the analogue output dAA in steps	[s]	0 - 0,1 - 0,5 - 2
Max. response time analogue output	[ms]	3
Software / programming		
Parameter setting options	hysteresis / window; normally open / normally closed; switching logic; current/voltage output; Damping; adaptation of displayed values; display can be rotated and switched off; Display unit; zero point; span	
Operating conditions		
Ambient temperature	[°C]	-25...80
Storage temperature	[°C]	-40...100
Protection		IP 67
Tests / approvals		
EMC	EN 61000-4-2 ESD	4 kV CD / 8 kV AD
	EN 61000-4-3 HF radiated	10 V/m
	EN 61000-4-4 Burst	2 kV
	EN 61000-4-6 HF conducted	10 V
Shock resistance	DIN IEC 68-2-27	50 g (11 ms)
Vibration resistance	DIN IEC 68-2-6	20 g (10...2000 Hz)
MTTF	[years]	181
Mechanical data		
Weight	[g]	320
Materials	stainless steel (1.4404 / 316L); PBT; PC; PEI; EPDM/X; FKM	
Materials (wetted parts)	ceramics (99.9 % Al ₂ O ₃); PTFE; stainless steel (1.4435 / 316L); surface characteristics: Ra < 0,4 / Rz 4	
Min. pressure cycles	100 million	
Process connection	threaded connection Aseptoflex external thread Aseptoflex	
Displays / operating elements		
Display	switching status	2 x LED, red
	function display	7-segment LED display
	measured values	7-segment LED display
Display unit	bar; psi; MPa	
Remarks		
Remarks	The 3-A qualification is only valid if adapters with 3-A qualification are used for installation.	
Pack quantity	1 pcs.	
Electrical connection		
Connector: 1 x M12; Contacts: gold-plated		

PF2053

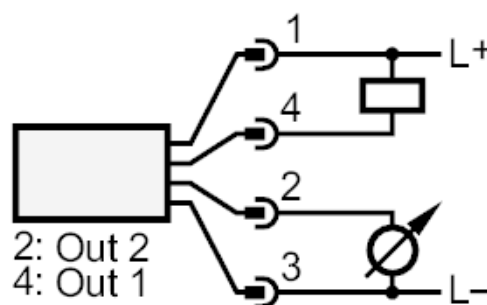
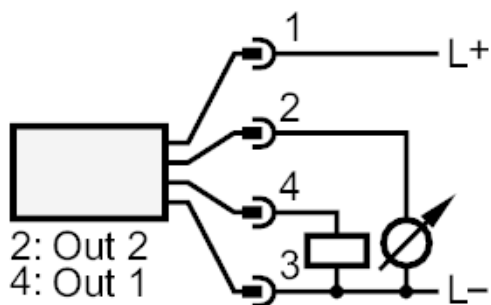
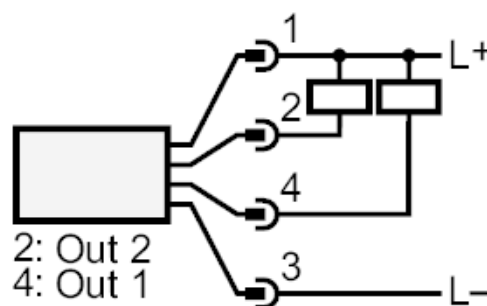
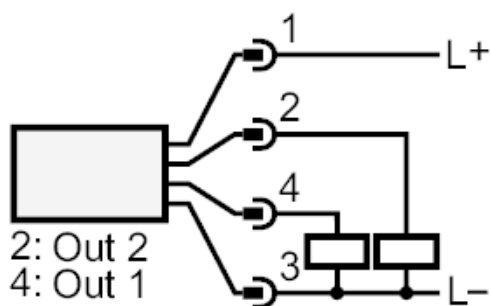


Flush pressure sensor

PF-025-RES30-MFRKG/US/ IP



Connection



OUT1	switching output
OUT2	switching output
	analogue output