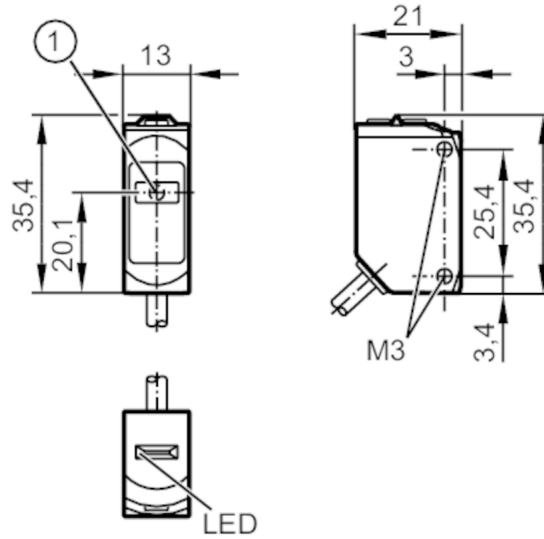


O6S700



Through-beam sensor transmitter

O6SLOOKG



1 light emission



Application

Function principle Through-beam sensor

Electrical data

Operating voltage [V]	10...30 DC
Current consumption [mA]	10; (24 V)
Protection class	III
Reverse polarity protection	yes
Type of light	red light
Wave length [nm]	650

Detection zone

Transmitter / receiver	transmitter
Range [m]	< 15
Diameter of the smallest detectable object [mm]	7; (15 m)
Max. light spot diameter [mm]	35
Light spot dimensions refer to	at maximum range

Interfaces

Communication interface	IO-Link
Transmission type	COM2 (38,4 kBaud)
IO-Link revision	1.1
SDCI standard	IEC 61131-9
IO-Link device ID	523d / 00020B h
Profiles	Smart Sensor: Device Identification, Device Diagnosis
SIO mode	no
Required master port type	A

O6S700



Through-beam sensor transmitter

O6SLOOKG

Operating conditions		
Ambient temperature	[°C]	-10...60
Protection		IP 65; IP 67
Tests / approvals		
EMC		EN 60947-5-2
Laser protection class		1
Notes on laser protection	Caution:	laser light
	laser class:	1
		EN / IEC60825-1:2007
		EN / IEC60825-1:2014
		Complies with 21 CFR 1040 except for deviations pursuant to Laser Notice No. 50, dated June 2007.
MTTF	[years]	854
UL approval		UL Approval no. E174191 E025
Mechanical data		
Weight	[g]	59.6
Housing		rectangular
Dimensions	[mm]	35.4 x 13 x 21
Materials		housing: ABS; PPSU; Sealing: EPDM
Lens material		PMMA
Lens alignment		side lens
Tightening torque	[Nm]	0.5
Displays / operating elements		
Display	operation	1 x LED, green
Remarks		
Remarks		operating voltage "supply class 2" according to cULus
Pack quantity		1 pcs.

O6S700



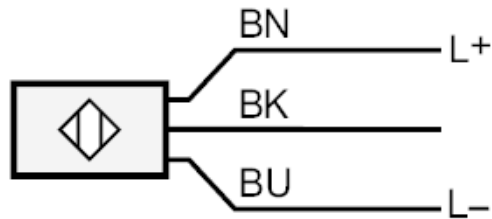
Through-beam sensor transmitter

O6SLOOKG

Electrical connection

Cable: 2 m, PUR, black, \varnothing 3.7 mm; 3 x 0.25 mm²

Connection



BK OUT / IO-Link

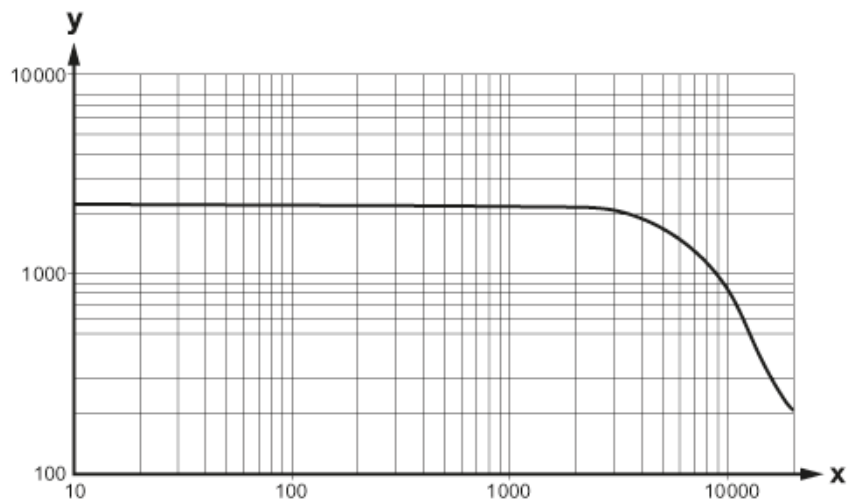
Core colours :

BN = brown

BK = black

BU = blue

Diagrams and graphs



x: Abstand [mm]

y: Funktionsreservfaktor