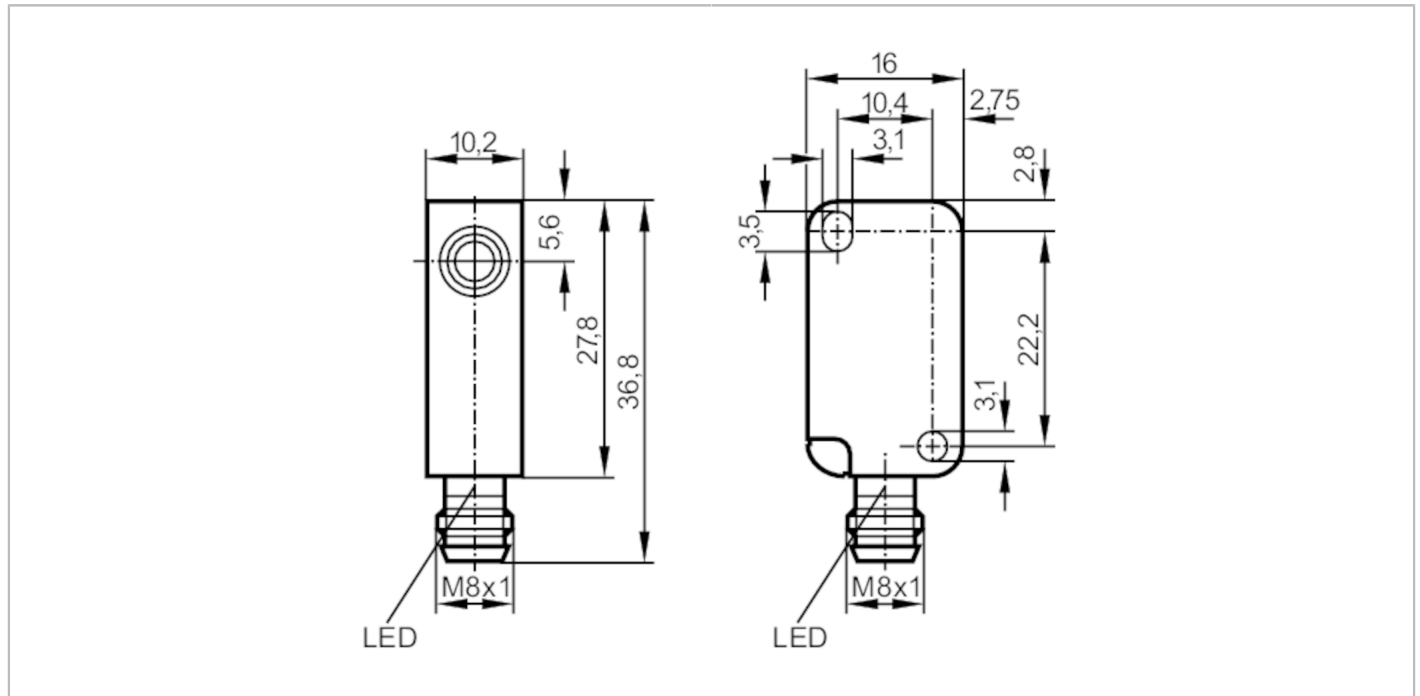


IS5071



Inductive sensor

IS-3004-BPKG/AS



Product characteristics

| | | |
|-------------------|------|---------------|
| Electrical design | | PNP |
| Output function | | normally open |
| Sensing range | [mm] | 4 |
| Housing | | rectangular |
| Dimensions | [mm] | 28 x 10 x 16 |

Electrical data

| | | |
|-----------------------------|------|------------|
| Operating voltage | [V] | 10...30 DC |
| Current consumption | [mA] | 15 |
| Protection class | | III |
| Reverse polarity protection | | yes |

Outputs

| | | |
|---|------|---------------|
| Electrical design | | PNP |
| Output function | | normally open |
| Max. voltage drop switching output DC | [V] | 2.5 |
| Permanent current rating of switching output DC | [mA] | 200 |
| Switching frequency DC | [Hz] | 2000 |
| Short-circuit protection | | yes |
| Overload protection | | yes |

Detection zone

| | | |
|-----------------------|------|----------|
| Sensing range | [mm] | 4 |
| Real sensing range Sr | [mm] | 4 ± 10 % |
| Operating distance | [mm] | 0...3.25 |

IS5071



Inductive sensor

IS-3004-BPKG/AS

Accuracy / deviations

| | | |
|------------|-----------|--------|
| Hysteresis | [% of Sr] | 1...15 |
|------------|-----------|--------|

Operating conditions

| | | |
|---------------------|------|---|
| Ambient temperature | [°C] | -25...70 |
| Protection | | IP 65; (with ifm socket duly screwed on IP67) |

Tests / approvals

| | | | |
|-------------|----------------|--------------|-------------|
| EMC | | EN 60947-5-2 | |
| MTTF | [years] | 3076 | |
| UL approval | Ta | | -25...70 °C |
| | Enclosure type | | Type 1 |
| | voltage supply | | Class 2 |
| | File number UL | | E174191 |

Mechanical data

| | | |
|-------------------|------|----------------------|
| Weight | [g] | 8.5 |
| Housing | | rectangular |
| Mounting | | non-flush mountable |
| Dimensions | [mm] | 28 x 10 x 16 |
| Materials | | PBT; PC |
| Tightening torque | [Nm] | < 0.5; (with washer) |

Displays / operating elements

| | | |
|---------|------------------|-----------------|
| Display | switching status | 1 x LED, yellow |
|---------|------------------|-----------------|

Remarks

| | |
|---------------|--------|
| Pack quantity | 1 pcs. |
|---------------|--------|

Electrical connection - plug

Connector: 1 x M8



IS5071



Inductive sensor

IS-3004-BPKG/AS

Connection

