

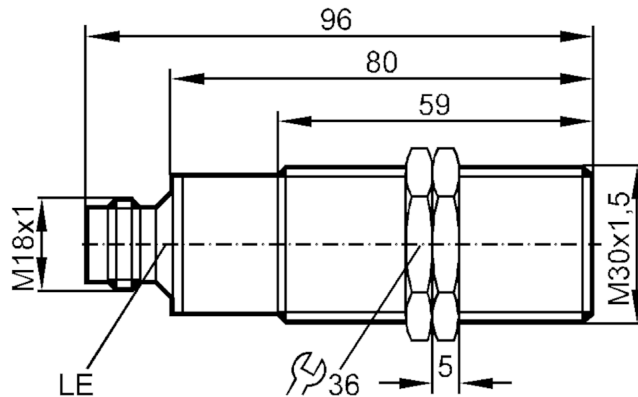


Inductive sensor

I1A2010LABOA/V4A/BS-301-A

Article no longer available - archive entry

replaced by: I10282



Electrical data

Frequency AC	[Hz]	47...63
Operating voltage	[V]	20...250 AC / 15...250 DC
Protection class		II
Reverse polarity protection		no

Outputs

Output function		normally open
Max. voltage drop switching output DC	[V]	6
Max. voltage drop switching output AC	[V]	6.5
Minimum load current	[mA]	5
Max. leakage current	[mA]	2.5 (250 V AC) / 1.3 (110 V AC) / 0.8 (24 V DC)
Permanent current rating of switching output AC	[mA]	250; (350 (...50 °C))
Permanent current rating of switching output DC	[mA]	100
Switching frequency AC	[Hz]	25
Switching frequency DC	[Hz]	30
Short-circuit protection		no
Overload protection		no

Detection zone

Sensing range	[mm]	10
Real sensing range Sr	[mm]	10 ± 10 %
Operating distance	[mm]	0...8.1

II0209



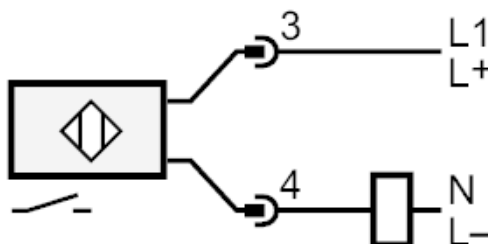
Inductive sensor

IIA2010LABOA/V4A/BS-301-A

Accuracy / deviations		
Correction factor		steel: 1 / stainless steel: 0.7 / brass: 0.4 / aluminium: 0.4 / copper: 0.3
Hysteresis	[% of Sr]	1...15
Switch point drift	[% of Sr]	-10...10
Operating conditions		
Ambient temperature	[°C]	-25...80
Protection		IP 67
Mechanical data		
Housing		threaded type
Mounting		flush mountable
Dimensions	[mm]	M30 x 1.5
Thread designation		M30 x 1.5
Materials		stainless steel (1.4571/316Ti); PBT
Displays / operating elements		
Display	switching status	1 x LED, yellow
Accessories		
Accessories (supplied)		lock nuts: 2
Remarks		
Pack quantity		1 pcs.

Electrical connection - plug

Connector: 1 x M18



Article no longer available - archive entry

II0209

Inductive sensor

IIA2010LABOA/V4A/BS-301-A



replaced by: II0282