

I10206

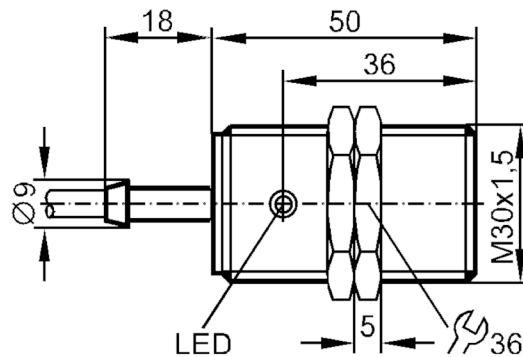


Inductive sensor

IIC2015-BBOW/PPU

Article no longer available - archive entry

replaced by: I10221



Electrical data

Frequency AC	[Hz]	47...63
Operating voltage	[V]	90...250 AC
Current consumption	[mA]	3; (250 V)
Protection class		II
Reverse polarity protection		no

Outputs

Output function		normally closed
Max. voltage drop switching output AC	[V]	8.5
Minimum load current	[mA]	8
Permanent current rating of switching output AC	[mA]	200; (250 (...50 °C))
Short-time current rating of switching output	[mA]	900; (20 ms / 0,5 Hz)
Switching frequency AC	[Hz]	15
Short-circuit protection		no
Overload protection		no

Detection zone

Sensing range	[mm]	15
Real sensing range Sr	[mm]	15 ± 10 %
Operating distance	[mm]	0...12.1

II0206

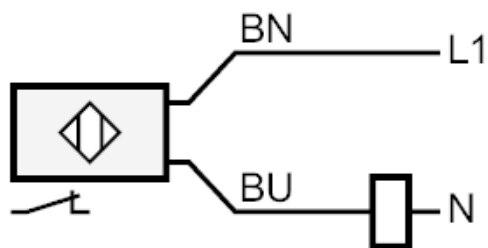


Inductive sensor

IIC2015-BBOW/PPU

Accuracy / deviations		
Correction factor	steel: 1 / stainless steel: 0.7 / brass: 0.5 / aluminium: 0.4 / copper: 0.3	
Hysteresis [% of Sr]	3...15	
Switch point drift [% of Sr]	-10...10	
Operating conditions		
Ambient temperature [°C]	-25...80	
Protection	IP 67	
Tests / approvals		
EMC	EN 60947-5-2	
	EN 55011	class B
Mechanical data		
Housing	threaded type	
Mounting	non-flush mountable	
Dimensions [mm]	M30 x 1.5	
Thread designation	M30 x 1.5	
Materials	PBT	
Displays / operating elements		
Display	switching status	1 x LED, yellow
Accessories		
Accessories (supplied)	lock nuts: 2	
Remarks		
Pack quantity	1 pcs.	
Electrical connection		
Cable: 2 m, PUR / PVC; highly flexible; 2 x 0.5 mm ²		

Connection



Core colours :
BN = brown
BU = blue

Article no longer available - archive entry

I10206

Inductive sensor

IIC2015-BBOW/PPU



replaced by: I10221