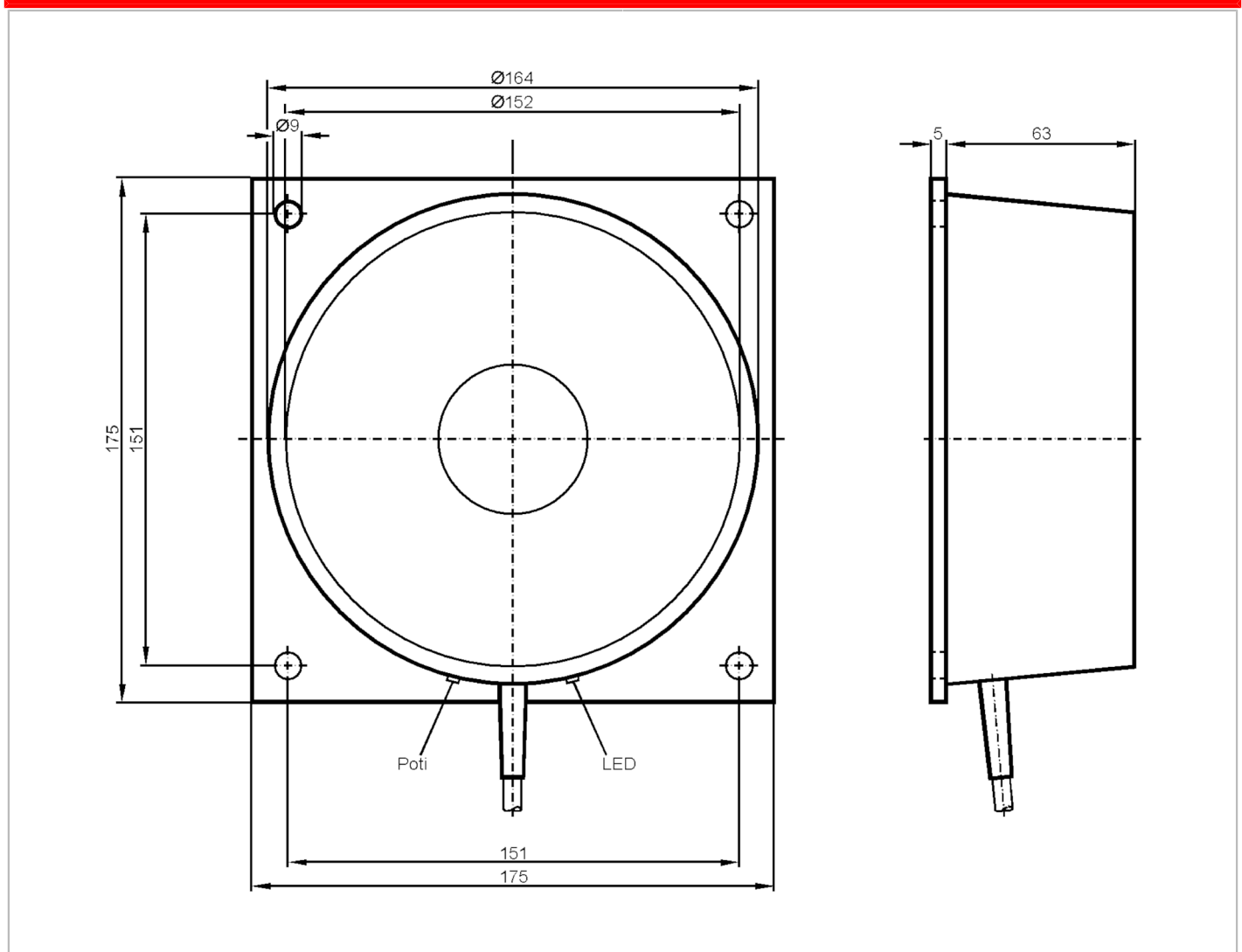


# I22004

Inductive area sensor



Article no longer available - archive entry



CE

## Electrical data

Frequency AC	[Hz]	47...63
Operating voltage	[V]	90...250 AC
Protection class		II
Reverse polarity protection		no

# I22004



## Inductive area sensor

Outputs		
Output function		normally open
Max. voltage drop switching output AC [V]		11
Minimum load current [mA]		15
Max. leakage current [mA]		6
Permanent current rating of switching output AC [mA]		200; (250 (...50 °C))
Short-time current rating of switching output [mA]		1500; (10 ms / 0,5 Hz)
Switching frequency AC [Hz]		3
Short-circuit proof		no
Overload protection		no
Detection zone		
Sensing range [mm]		30...120
Sensing range adjustable		yes
Factory setting sensing range [mm]		120
Real sensing range Sr [mm]		120 ± 10 %
Accuracy / deviations		
Correction factor		steel: 1 / stainless steel: 0.7 / brass: 0.4 / aluminium: 0.3 / copper: 0.2
Hysteresis [% of Sr]		< 15
Switch point drift [% of Sr]		-15...15
Operating conditions		
Ambient temperature [°C]		-20...70
Protection		IP 65
Tests / approvals		
EMC		EN 60947-5-2
Mechanical data		
Housing		cylindrical
Mounting		non-flush mountable
Type of mounting		with mounting plate
Dimensions [mm]		Ø 164
Materials		housing: PBT; Mounting plate: aluminium anodised
Displays / operating elements		
Display	switching status	1 x LED, yellow
Electrical connection		
Required protection		miniature fuse to IEC60127-2 sheet 1; ≤ 2 A; fast acting
Remarks		
Remarks		Recommendation: Check the safe functioning of the unit after a short circuit.
Pack quantity		1 pcs.

# I22004

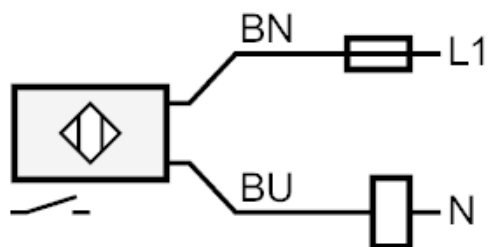


## Inductive area sensor

### Electrical connection

Cable: 2 m, PVC; 2 x 0.5 mm<sup>2</sup>

### Connection



Note miniature fuse to IEC60127-2 sheet 1  $\leq$  2 A fast acting

Core colours :

BN = brown

BU = blue

Article no longer available - archive entry