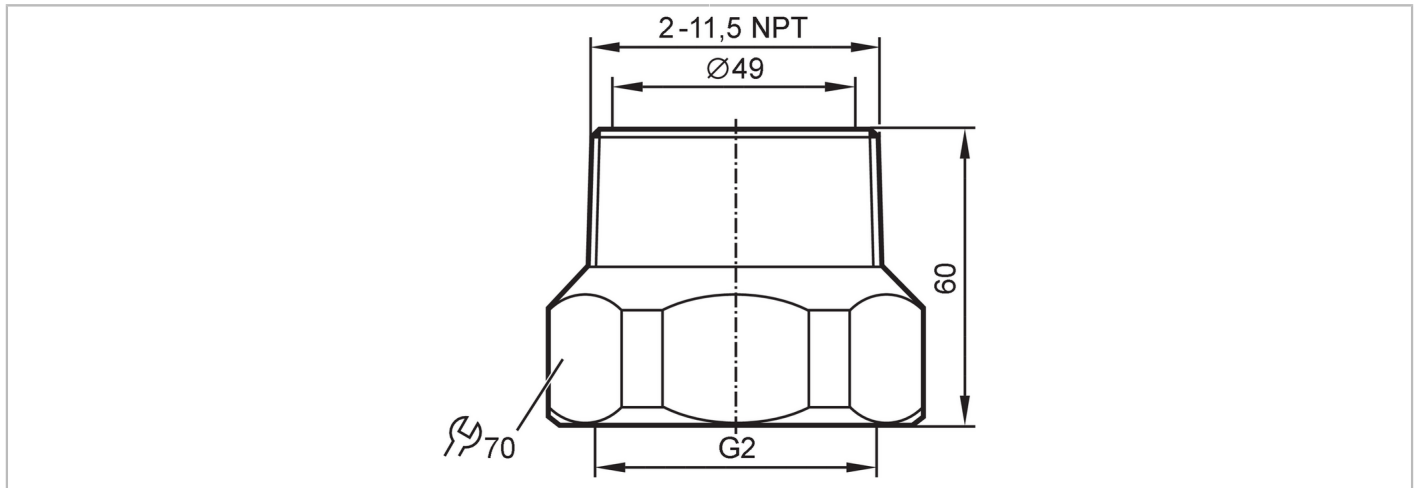


E40228



Mounting adapter for flow sensors

ADAPT /SM/1/G2 - 2 NPT



CRN

Application	
Design	for flow sensors Typ SM2, SM9
Pressure rating	16 bar 1.6 MPa
MAWP for applications according to CRN [bar]	16
Tests / approvals	
Pressure Equipment Directive	A possible classification to PED depends on the application and has to be carried out by the user / operator.
Safety instructions	The compatibility between medium and product material has to be checked in all applications.
Mechanical data	
Weight [g]	1446.5
Materials	Adapter: stainless steel (316Ti/1.4571); O-ring: FKM 47,22 x 3,53 mm
Sensor connection	G 2
Process connection	threaded connection 2" NPT
Accessories	
Items supplied	O-rings: 2
Remarks	
Pack quantity	2 pcs.