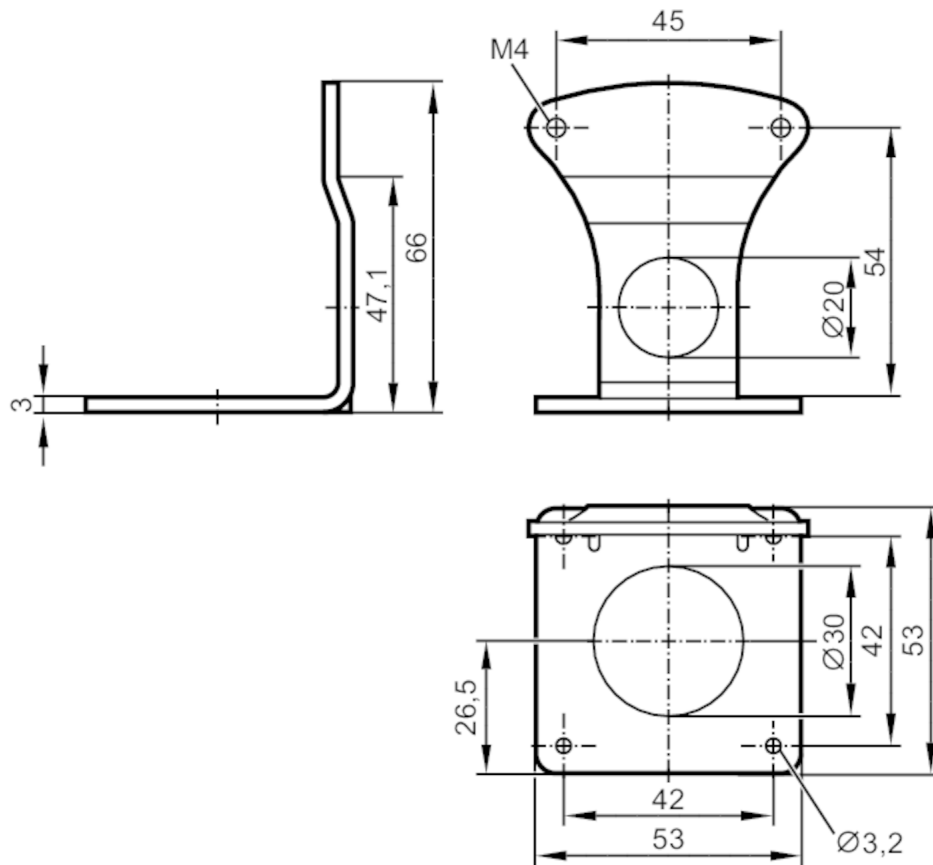


E2D117



Mounting set for illumination unit

MOUNTING SET DOME LIGHT



Application

Design for type O2D

Mechanical data

Weight [g] 187.3

Type of mounting mounting via screws

Materials fixture: stainless steel (1.4305 / 303)

Accessories

Accessories (supplied) screws: 4

Remarks

Pack quantity 1 pcs.