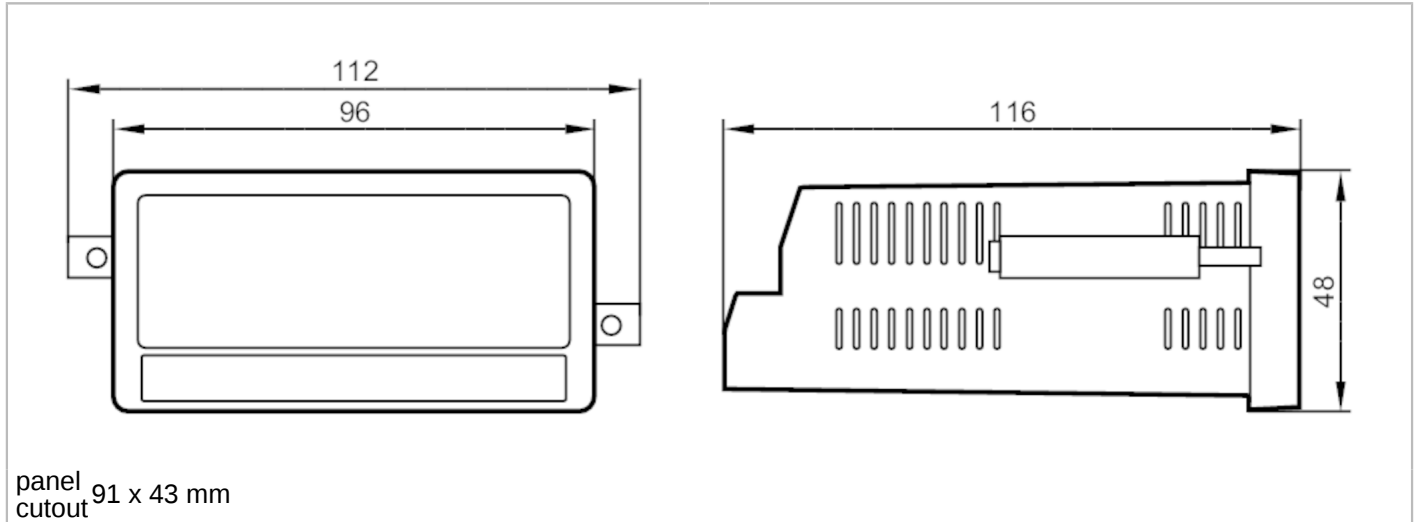


# DX2051



## Multifunction display for monitoring analogue standard signals

DISPLAY/AX460/DC



Product characteristics	
Dimensions	[mm] 48 x 112 x 116
Application	
Application	displaying and monitoring analogue signals; e.g. pressure sensors, temperature sensors or flow sensors
Electrical data	
Operating voltage	[V] 18...30 DC
Current consumption	[mA] 100
Inputs / outputs	
Number of inputs and outputs	Number of analogue inputs: 2
Inputs	
Number of analogue inputs	2
Operating conditions	
Ambient temperature	[°C] -20...60
Storage temperature	[°C] -25...70
Protection	IP 65
Protection rating terminals	IP 20
Tests / approvals	
EMC	EN 61000-6-2
	EN 61000-6-3
	EN 61000-6-4
Mechanical data	
Weight	[g] 300.5
Type of mounting	panel cutout: 91 x 43 mm
Dimensions	[mm] 48 x 112 x 116
Materials	Noryl UL94-V-0
Displays / operating elements	
Display	colour display full graphic LCD display, touch screen

# DX2051



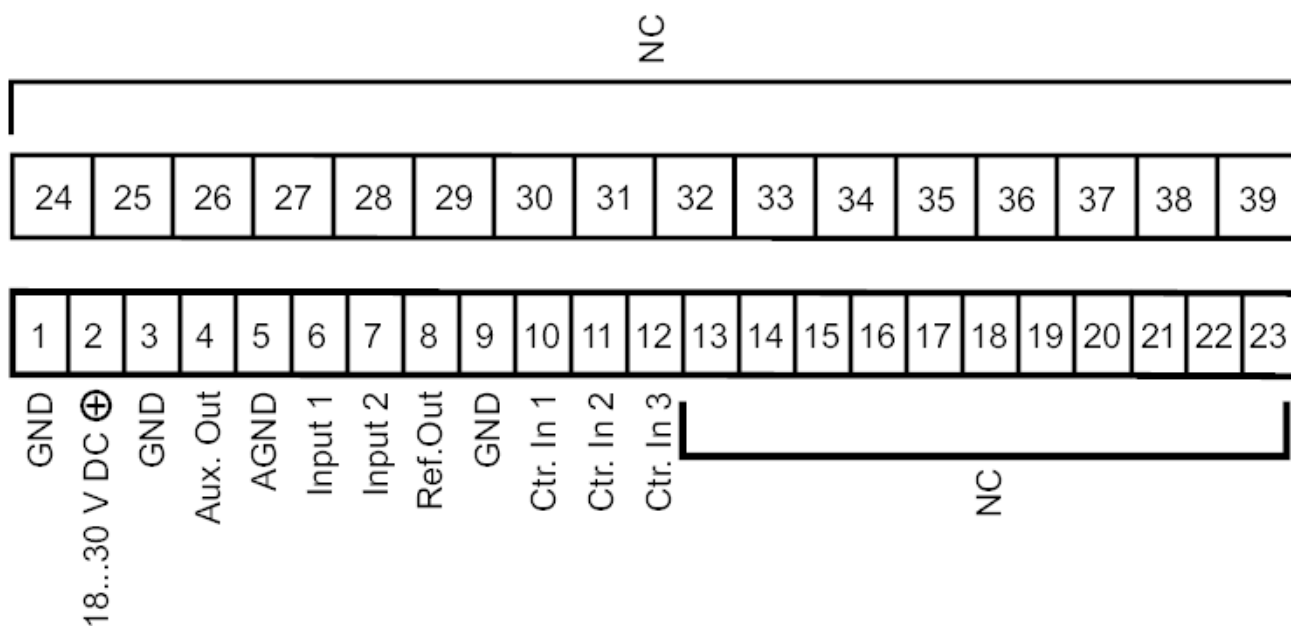
## Multifunction display for monitoring analogue standard signals

DISPLAY/AX460/DC

### Electrical connection

screw terminals:

### Connection



NC not used