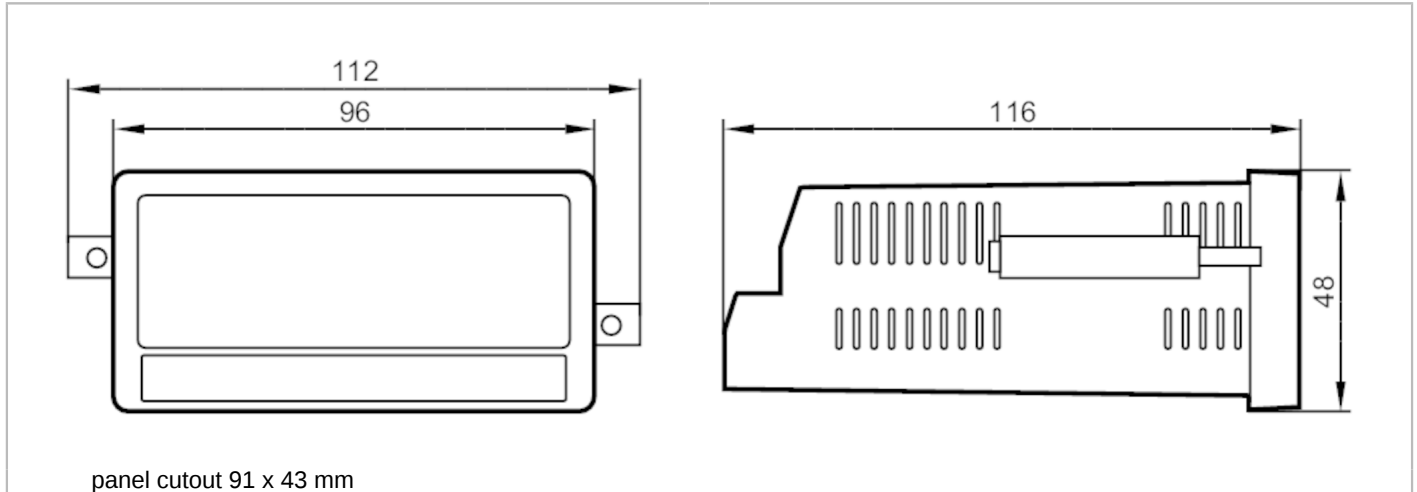


DX2042



Multifunction display for monitoring analogue standard signals

DISPLAY/AX460/PNP OUT/AC/DC



Product characteristics		
Dimensions	[mm]	48 x 112 x 116
Application		
Application		displaying and monitoring analogue signals; e.g. pressure sensors, temperature sensors or flow sensors
Electrical data		
Frequency AC	[Hz]	50...60
Operating voltage	[V]	115...230 AC / 18...30 DC
Current consumption	[mA]	100
Inputs / outputs		
Number of inputs and outputs		Number of analogue inputs: 2; Number of digital outputs: 4
Inputs		
Number of analogue inputs		2; (Spannungs- oder Stromeingang)
Analogue input (current)	[mA]	0...20
Analogue input (voltage)	[V]	-10...10
Resolution of analogue input		16 bit
Precision analogue input	[%]	0,1
Outputs		
Number of digital outputs		4
Overload protection		yes
Operating conditions		
Ambient temperature	[°C]	-20...60
Storage temperature	[°C]	-25...70
Protection		IP 65
Protection rating terminals		IP 20
Tests / approvals		
EMC		EN 61000-6-2
		EN 61000-6-3
		EN 61000-6-4

DX2042



Multifunction display for monitoring analogue standard signals

DISPLAY/AX460/PNP OUT/AC/DC

Mechanical data

Weight	[g]	350.5
Type of mounting		panel cutout: 91 x 43 mm
Dimensions	[mm]	48 x 112 x 116
Materials		Noryl UL94-V-0

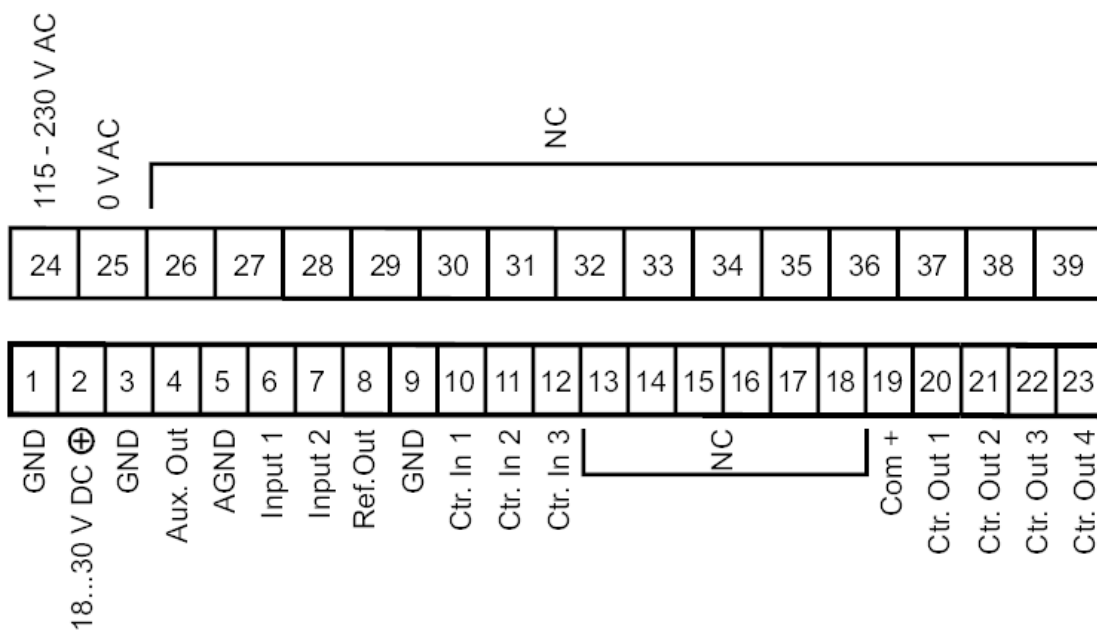
Displays / operating elements

Display	colour display	full graphic LCD display, touch screen
---------	----------------	--

Electrical connection

screw terminals:

Connection



NC not used