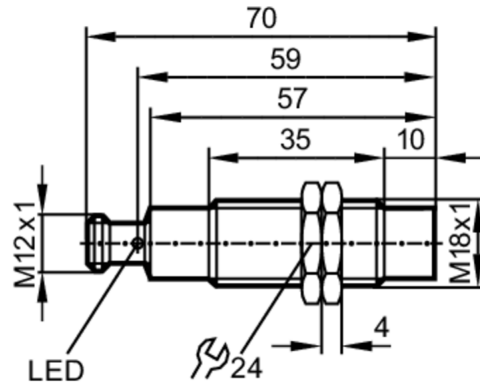


# DTI425



## RFID read/write head HF

DTRHF GNRWIOUS03



Application			
Application	detection of objects on transport equipment		
Radio approval for	Europe; China		
Electrical data			
Operating voltage [V]	19.2...28.8 DC		
Current consumption [mA]	< 50		
Protection class	III		
Operating frequency [MHz]	13,56		
RFID standard	ISO 15693		
Detection zone			
Distance to the ID tag [mm]	referred to 30 mm coin tag; I-CODE SLI	:	≤ 40
Interfaces			
Communication interface	IO-Link		
Transmission type	COM2 (38.4 kBaud)		
IO-Link revision	1.1		
SDCI standard	IEC 61131-9		
IO-Link device ID	967 d / 00 03 C7 h		
Profiles	Smart Sensor: Device Identification		
SIO mode	no		
Required master port type	A		
Min. process cycle time [ms]	22		
Operating conditions			
Ambient temperature [°C]	-20...60		
Storage temperature [°C]	-25...80		
Protection	IP 67; IP 69K		

# DTI425



## RFID read/write head HF

DTRHF GNRWIOUS03

Tests / approvals		
EMC	EN 301489-3	
Shock resistance	EN 60068-2-27	40 g 6 ms / repetitive
	EN 60068-2-27	50 g 11 ms / not repetitive
Vibration resistance	EN 60068-2-6	20 g 10...2000 Hz
Electrical protection	EN 61010-2-201 : 2013 +AC:2013	
Radio approval	EN300 330-2 V2.1.1	
MTTF [years]	481	

Mechanical data		
Weight [g]	126	
Housing	cylindrical	
Mounting	non-flush mountable	
Dimensions [mm]	M18 x 1.5 / L = 70	
Thread designation	M18 x 1.5	
Materials	housing: stainless steel (1.4301 / 304); Protective cover: PPS; plug insert: PEI	

Displays / operating elements		
Display	operation	1 x LED, green
	tag communication	1 x LED, yellow

Remarks		
Pack quantity	1 pcs.	

### Electrical connection

Connector: 1 x M12



### Connection

