

# ZZ1100

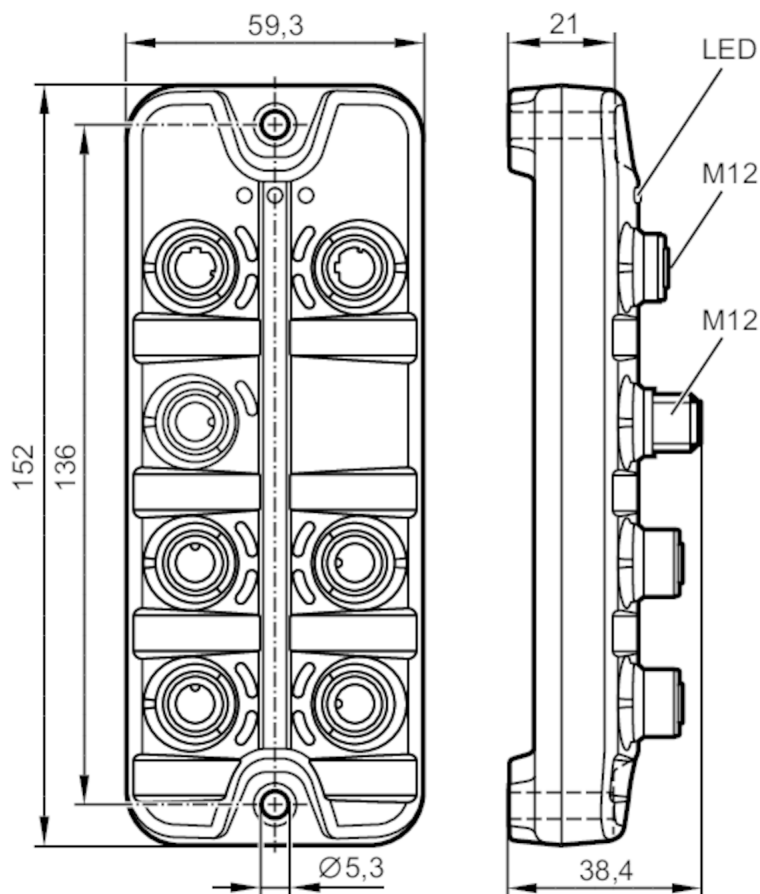


## IO-Link master starter kit - PROFINET

STARTER KIT IO-LINK

article can only be ordered once per customer

article is delivered without parameter setting software



### Mechanical data

Weight [g] 627.5

### Accessories

Items supplied	IO-Link master StandardLine, PROFINET, AL1100
	Power supply, 230 V / 24 V (M12), E80121
	Ethernet cable M12 - RJ45; 0,5 m, EVC924
	Connection cable M12 - M12; 0,6 m, EVC041
	Photoelectric distance sensor, O5D150
Accessories (optional)	Parameter setting software: moneo configure, QMP010

### Remarks

Remarks	For additional information, please refer to the data sheets and installation instructions for the components listed above.
Notes	article can only be ordered once per customer
Pack quantity	1 pcs.