

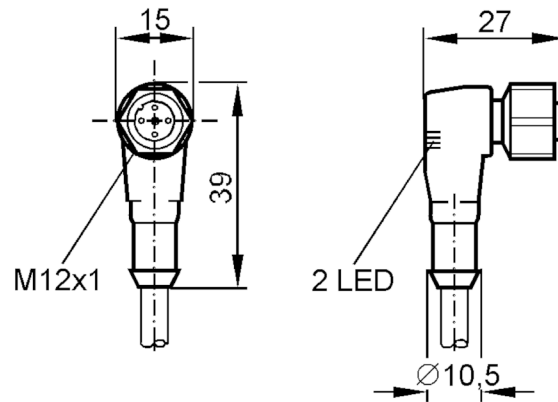
# E10318



## Connecting cable with socket

ADOAH042VAS0005E03

Article no longer available - archive entry



### Electrical data

Operating voltage [V] 10...30 DC

### Outputs

Electrical design PNP

### Operating conditions

Ambient temperature [°C] -25...90

Protection IP 67

### Mechanical data

Materials TPU transparent

Material nut stainless steel (1.4404 / 316L)

### Remarks

Pack quantity 1 pcs.

### Electrical connection

Cable: 5 m, PVC, orange, Ø 5 mm; 3 x 0.34 mm<sup>2</sup> (42 x Ø 0.1 mm )

### Electrical connection - socket

Connector: 1 x M12, angled; Moulded body: TPU, transparent; Locking: stainless steel (1.4404 / 316L); Tightening torque: 0.5 Nm



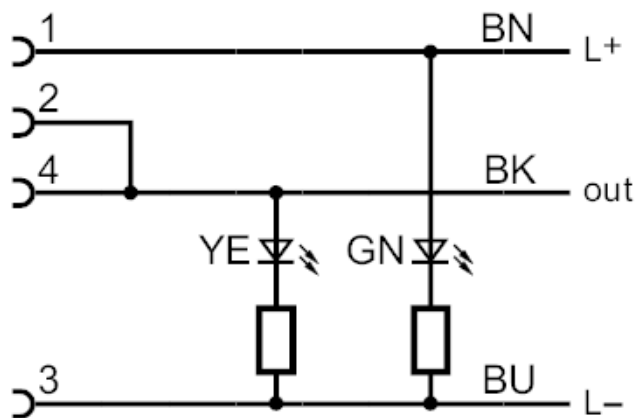
# E10318



## Connecting cable with socket

ADOAH042VAS0005E03

### Connection



Core colours :

BK = black  
BN = brown  
BU = blue

Article no longer available - archive entry