

AC1244



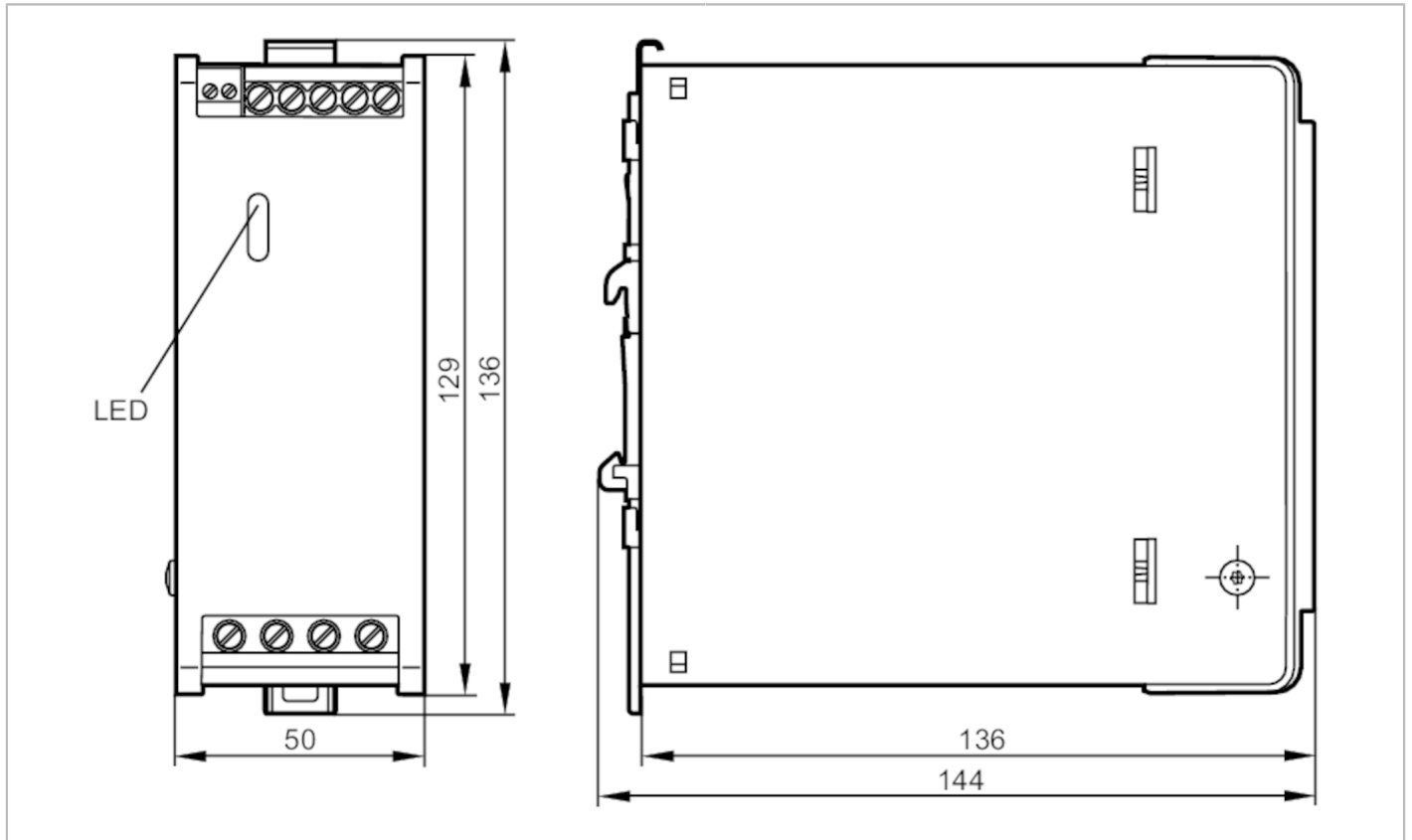
AS-Interface power supply

PSU-1AC/ASI-4A

Article no longer available - archive entry

Alternative articles: AC1254

When selecting an alternative article and accessories please note that technical data may differ!



AC1244



AS-Interface power supply

PSU-1AC/ASI-4A

Electrical data		
Operating voltage tolerance	[%]	10
Nominal voltage AC	[V]	110 / 230
Nominal frequency AC	[Hz]	47...63
Input voltage range AC	[V]	100...240
Protection class		I
Overvoltage protection		yes; (< 34)
Max. power-on delay time	[ms]	150
Output voltage AS-i	[V]	29.5...31.6
Number of output circuits		1
Output current AS-i	[A]	4
Max. residual ripple	[mV]	50
Efficiency (nominal voltage 230 V AC / 50 Hz)	[%]	88
Fuse	[A]	10; (external, characteristics B)
Derating	[W/K]	3% / K (> 60° C)
Mains buffering time (nominal voltage 230 V AC / 50 Hz)	[ms]	195
Integrated data decoupling		yes
Outputs		
Short-circuit proof		yes
Overload protection		yes
Parallel connection of outputs possible		no
Series connection of outputs possible		no
Operating conditions		
Ambient temperature	[°C]	0...70
Protection		IP 20
Tests / approvals		
EMC		EN 61000-6-2
		EN 61000-6-3
AS-i classification		
AS-i certificate		89501
Mechanical data		
Weight	[g]	1002
Type of mounting		rail; (TH35 (EN 60715); free space for convection cooling 20 mm)
Dimensions	[mm]	136 x 50 x 144
Materials		AlMg3; steel sheet; PC
Displays / operating elements		
Display	AS-i voltage	LED, green
Remarks		
Pack quantity		1 pcs.

AC1244



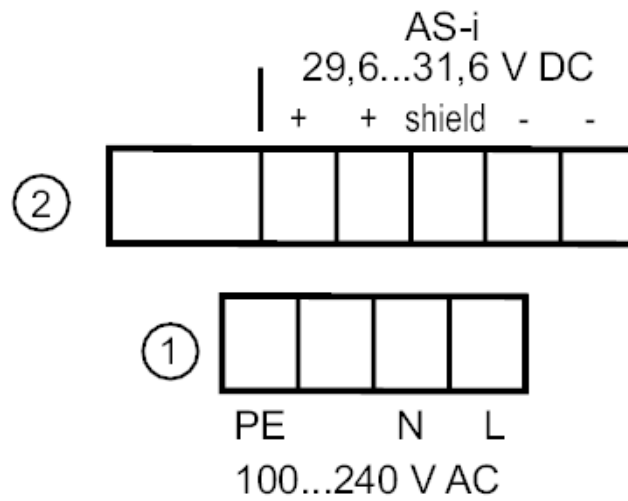
AS-Interface power supply

PSU-1AC/ASI-4A

Electrical connection

screw terminals:

Connection



- 1: primary
- 2: secondary