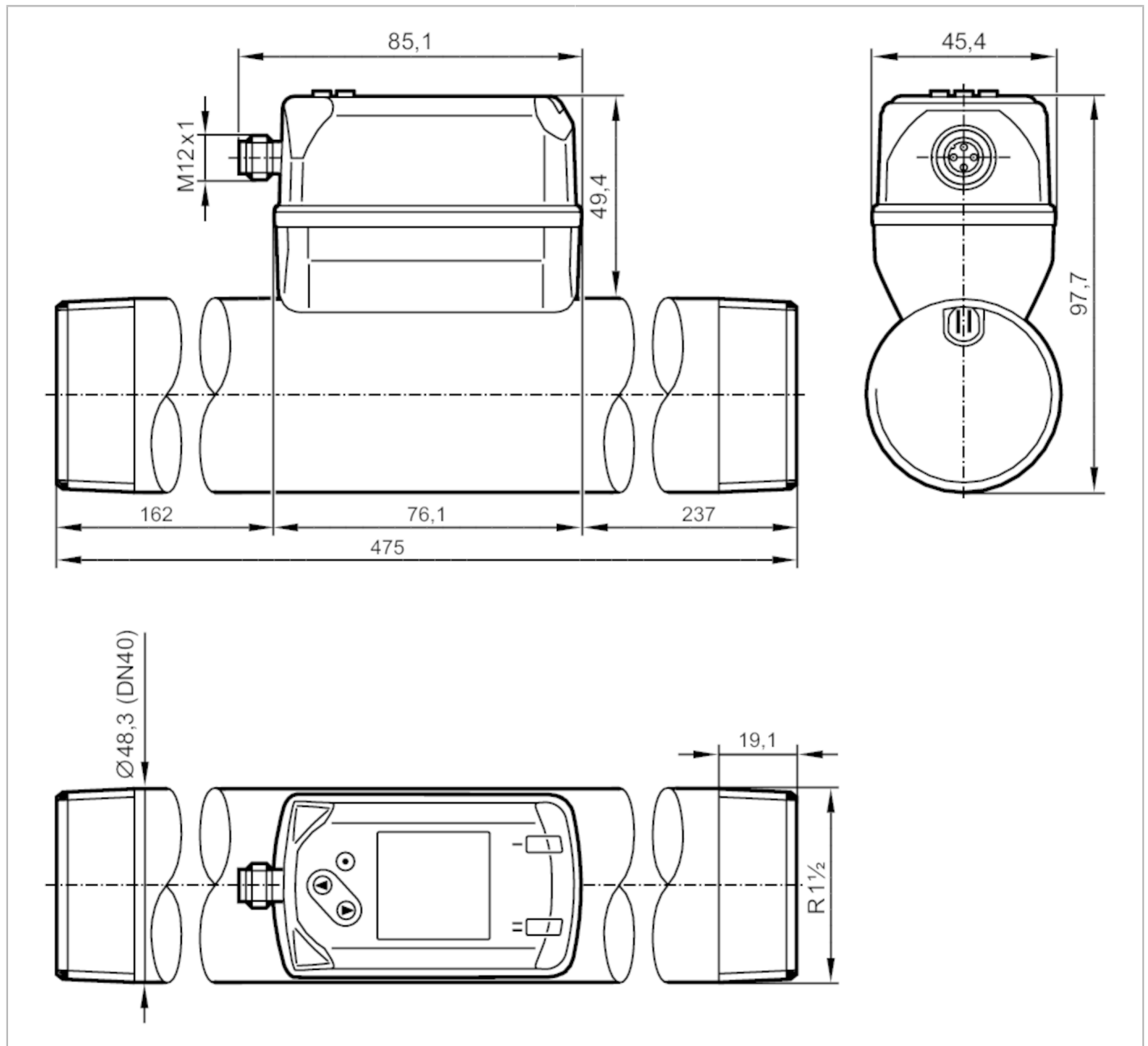


SD9500



Compressed air meter

SDR32DGXFRKG/US-100



Product characteristics

Number of inputs and outputs	Number of digital outputs: 2; Number of analogue outputs: 1
Process connection	threaded connection R 1 1/2 DN40
Pressure monitoring	
Measuring range [bar]	-1...16

SD9500



Compressed air meter

SDR32DGXFRKG/US-100

Application			
Application	for industrial applications		
Media	compressed air		
Medium temperature [°C]	-10...60		
Min. bursting pressure [bar]	64		
Min. bursting pressure [MPa]	6.4		
Pressure rating [bar]	16		
Pressure rating [Mpa]	1.6		
Electrical data			
Operating voltage [V]	18...30 DC; (to SELV/PELV)		
Current consumption [mA]	< 80		
Protection class	III		
Reverse polarity protection	yes		
Power-on delay time [s]	1		
Inputs / outputs			
Number of inputs and outputs	Number of digital outputs: 2; Number of analogue outputs: 1		
Inputs			
Inputs	counter reset		
Outputs			
Output signal	switching signal; analogue signal; pulse signal; IO-Link; (configurable)		
Electrical design	PNP/NPN		
Number of digital outputs	2		
Output function	normally open / normally closed; (parameterisable)		
Max. voltage drop switching output DC [V]	2.5		
Permanent current rating of switching output DC [mA]	150; (per output)		
Number of analogue outputs	1		
Analogue current output [mA]	4...20; (scalable)		
Max. load [Ω]	500		
Pulse output	consumed quantity meter		
Short-circuit protection	yes		
Type of short-circuit protection	pulsed		
Overload protection	yes		
Measuring/setting range			
Measuring range	20...6830 l/min	0.3...81 m/s	1.4...410 m³/h
Display range	0...8200 l/min	0...97.2 m/s	0...492 m³/h
Resolution	10 l/min	0.1 m/s	0.2 m³/h
Set point SP	60...6830 l/min	0.7...81 m/s	3.6...409.8 m³/h
Reset point rP	30...6800 l/min	0.3...80.6 m/s	1.6...407.8 m³/h
Analogue start point ASP	0...5460 l/min	0...64.8 m/s	0...327.9 m³/h
Analogue end point AEP	1370...6830 l/min	16.2...81 m/s	82.1...410 m³/h
Low flow cut-off LFC	10...70 l/min	0.1...0.9 m/s	0.5...4.4 m³/h
In steps of	1 l/min	0.1 m/s	0.1 m³/h

SD9500



Compressed air meter

SDR32DGXFRKG/US-100

Pressure monitoring		
Measuring range	[bar]	-1...16
Display range	[bar]	-1...20
Resolution	[bar]	0.05
Set point SP	[bar]	-0.92...16
Reset point rP	[bar]	-1...15.92
Analogue start point	[bar]	-1...12.8
Analogue end point	[bar]	2.2...16
In steps of	[bar]	0.01
Volumetric flow quantity monitoring		
Measuring range		0...100000000 m ³ 0...353146667.2 scf
Display range		0...100000000 m ³ 0...353146667.2 scf
Set point SP		0.001...10000000 m ³ 0.05...353146667.2 scf
Pulse value		0.001...10000000 m ³ 0.05...353146667.2 scf
In steps of		0.0001 m ³ 0.005 scf
Pulse length	[s]	0.004...2
Temperature monitoring		
Measuring range		-10...60 °C 14...140 °F
Display range		-24...74 °C -11.2...165.2 °F
Resolution		0.2 °C 0.5 °F
Set point SP		-9.7...60 °C 14.6...140 °F
Reset point rP		-10...59.7 °C 14...139.4 °F
Analogue start point		-10...46 °C 14...114.8 °F
Analogue end point		4...60 °C 39.2...140 °F
In steps of		0.1 °C 0.1 °F
Accuracy / deviations		
Temperature coefficient	[1/K]	± 0,07 % MW
Accuracy (in the measuring range)		class 141: ± (2 % MW + 0,5 % MEW); class 344: ± (6 % MW + 0,6 % MEW) ; air quality to ISO 8573-1:2010; at medium temperature 23 °C
Repeatability		± (0,4 % MW + 0,1 % MEW)
Pressure monitoring		
Repeatability		± 0,2
	[% of the final value]	
Characteristics deviation		< ± 0,5; (BFSL = Best Fit Straight Line)
	[% of the final value]	
Greatest TEMPCO of the span		± 0,3
	[% MEW / 10 K]	
Greatest TEMPCO of the zero point		± 0,1
	[% MEW / 10 K]	
Temperature monitoring		
Accuracy	[K]	± 0,5; (medium flow in the limit area of the flow measurement range)
Response times		
Response time	[s]	0.1; (dAP = 0)
Damping process value dAP	[s]	0...5



Compressed air meter

SDR32DGXFRKG/US-100

Pressure monitoring		
Response time	[s]	0.05
Temperature monitoring		
Dynamic response T05 / T09	[s]	T09 = 0,5
Software / programming		
Parameter setting options	hysteresis / window; normally open / normally closed; current/pulse output; display can be rotated and switched off; Display unit; totaliser	
Interfaces		
Communication interface	IO-Link	
Transmission type	COM2 (38,4 kBaud)	
IO-Link revision	1.1	
SDCI standard	IEC 61131-9 CDV	
Profiles	Digital Measuring Sensor (0x800A), Identification and Diagnosis (0x4000)	
SIO mode	yes	
Required master port type	A	
Process data analogue	8	
Process data binary	2	
Min. process cycle time	[ms]	7.2
Supported DeviceIDs	Type of operation	DeviceID
	Default	869
Operating conditions		
Ambient temperature	[°C]	0...60
Storage temperature	[°C]	-20...85
Max. relative air humidity	[%]	90
Protection	IP 65; IP 67	
Tests / approvals		
EMC	DIN EN 60947-5-9	
	model number	001TG
	accuracy class	-
	maximum allowable error	± 2,5 % FS
	Q (min)	0,05 m³/h
CPA approval	Q (t)	-
	Q (max)	410 m³/h
	DIN EN 68000-2-6	5 g (10...2000 Hz)
Vibration resistance		
MTTF	[years]	183
UL approval	UL Approval no.	I012
	File number UL	E174189
Pressure Equipment Directive	Sound engineering practice; can be used for stable gases fluid group 2	
Mechanical data		
Weight	[g]	2262
Materials	PBT+PC-GF30; PPS GF40; stainless steel (1.4301 / 304); stainless steel (1.4305 / 303); steel (1.5523) galvanised; 2.0401 (brass / CW614N); FKM	
Materials (wetted parts)	stainless steel (1.4301 / 304); stainless steel (1.4305 / 303); FKM; ceramics glass passivated; PPS GF40; Al2O3 (ceramics); acrylate	
Process connection	threaded connection R 1 1/2 DN40	

SD9500



Compressed air meter

SDR32DGXFRKG/US-100

Displays / operating elements	
Display	colour display 1,44", 128 x 128 pixels 2 x LED, yellow
Remarks	
Remarks	MW = measured value MEW = Final value of the measuring range Measuring, display and setting ranges refer to the standard volume flow according to DIN ISO 2533. For information about installation and operation please see the operating instructions.
Pack quantity	1 pcs.

Electrical connection

Connector: 1 x M12; coding: A

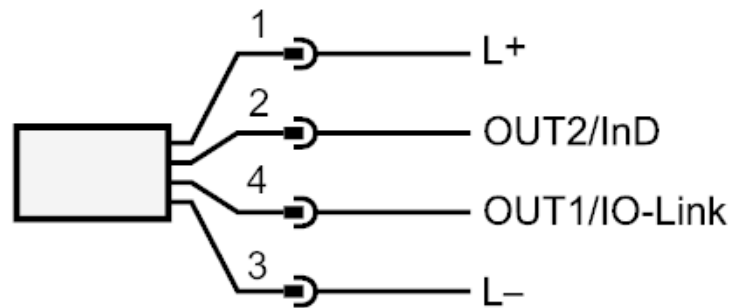




Compressed air meter

SDR32DGXFRKG/US-100

Connection



OUT1/IO-Link: switching output flow
 switching output temperature
 switching output pressure
 Pulse output quantity meter
 signal output Preset counter

OUT2/InD: switching output flow
 switching output temperature
 switching output pressure
 analogue output flow
 analogue output temperature
 analogue output pressure
 signal output Preset counter
 Pulse output quantity meter
 input counter reset