

EVC629



Connecting cable with socket

ADOGH050MSS0020C05



Application

Special feature	Free from silicone; Halogen-free; Gold-plated contacts; Screened cable; Drag chain suitability
Free from silicone	yes

Electrical data

Operating voltage	[V]	< 30 AC / < 36 DC
Protection class		III
Max. current load total	[A]	4
Overall current rating (UL)	[A]	3

Operating conditions

Ambient temperature	[°C]	-25...90
Note on ambient temperature		cULus: ...75
Ambient temperature (moving)	[°C]	-25...90
Note on ambient temperature (moving)		cULus: ...75
Protection		IP 65; IP 67; IP 68; IP 69K

EVC629



Connecting cable with socket

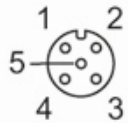
ADOGH050MSS0020C05

Mechanical data		
Weight [g]	772	
Dimensions [mm]	15.5 x 15.5 x 45	
Materials	housing: TPU orange; Sealing: FKM	
Material nut	brass, nickel-plated	
Drag chain suitability	yes	
Drag chain suitability	bending radius for flexible use	min. 10 x cable diameter
	travel speed	max. 3.3 m/s for a horizontal travel length of 5 m and max. acceleration of 5 m/s ²
	bending cycles	≥ 2 Mio.
	torsional strain	± 180 °/m

Remarks	
Pack quantity	1 pcs.

Electrical connection	
Cable: 20 m, PUR, Halogen-free, black, Ø 4.9 mm, shielded; 5 x 0.25 mm ² (32 x Ø 0.1 mm)	

Electrical connection - socket	
Connector: 1 x M12, straight; Locking: brass, nickel-plated; Contacts: gold-plated; Tightening torque: 0.6...1.5 Nm; Shielded connection cable: screen not connected	



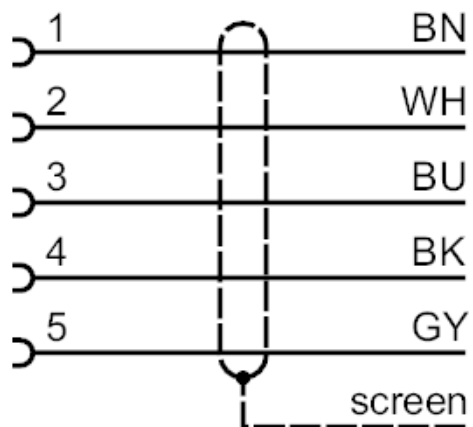
EVC629



Connecting cable with socket

ADOGH050MSS0020C05

Connection



Core colours :

BK =	black
BN =	brown
BU =	blue
GY =	grey
WH =	white